



Robin Engine

Model EX17

PARTS CATALOG

Spec. No.	Spec. Name
EX170D00000	STD
EX170D00010	EX, STD
EX170D10010	EX, PUMP
EX170D20010	GEN, DUAL, OS
EX170D40010	DUAL, CABLE CONTROL
EX170D50000	EX, DU
EX170D50020	EX, DU, DUAL, CABLE CONTROL, OS
EX170D51010	EX, DP(5/8), DUAL, OS
EX170D52010	EX, DH, OS
EX170D52020	EX, DH, 50, OS

 **COMAG**
BRANCO & C^A, S. A.

TELEF. 234 340 690
TELEFAX 234 342 185
E-MAIL: comag@mail.telepac.pt

Apartado 1
COSTA DO VALADO
3811-551 AVEIRO

 **FUJI HEAVY INDUSTRIES LTD.**

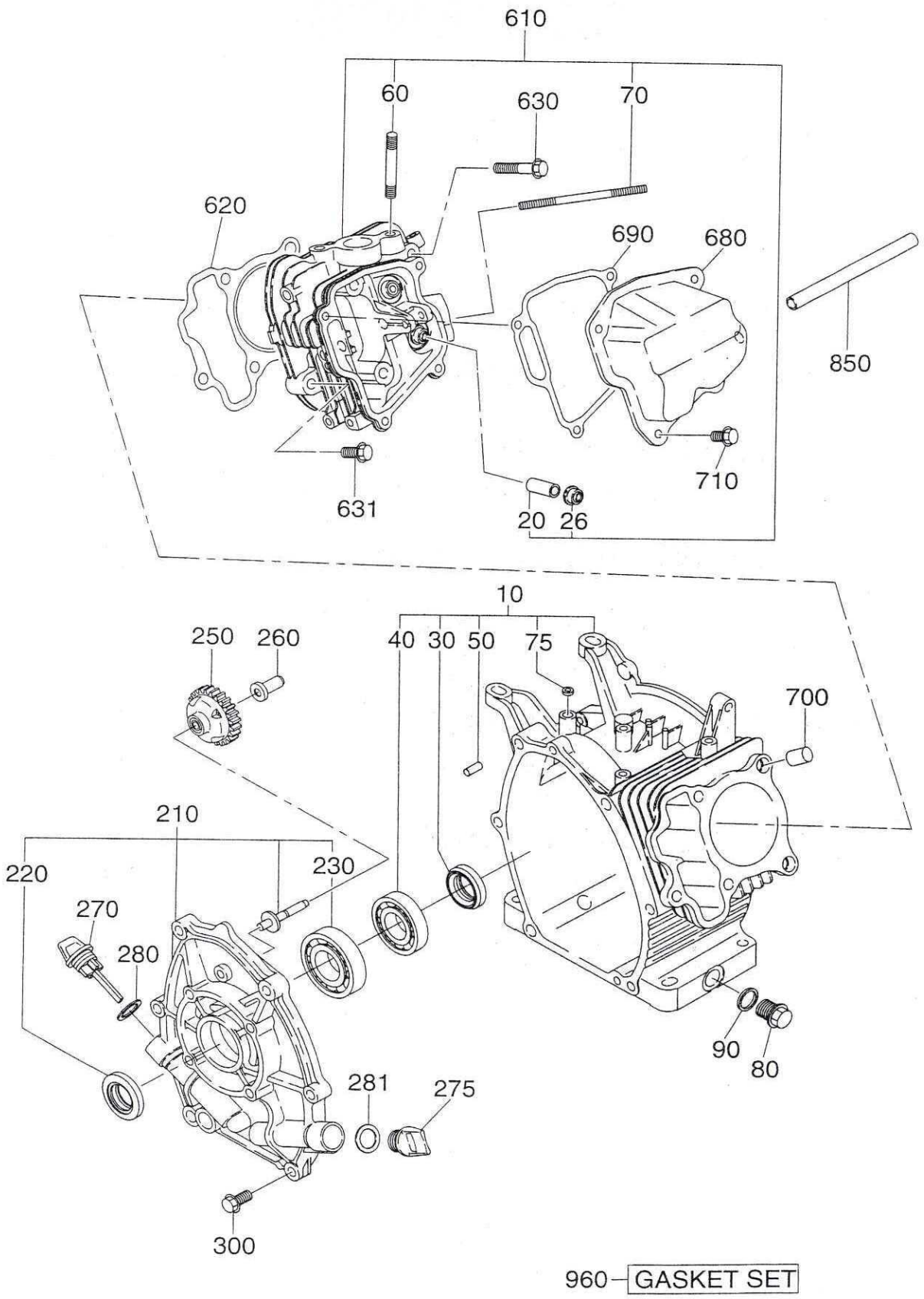
ISSUE EMD-EP5846

ISSUE DATE 2002.3

CONTENTS

	Fig.No
1. CRANK CASE	100
2. CRANKSHAFT, PISTON	200
3. INTAKE EXHAUST	300
Air Cleaner(dual)	315
4. GOVERNOR, OPERATION	400
5. COOLING, STARTING	500
Recoil Starter	520
6. FUEL LUBRICANT	600
Carburetor	640
7. ELECTRIC DEVICE	700
Oil level Sensor	770
9. ACCESSORIES LABEL	900

FIG. 100



1 CRANK CASE

REF. NO.	PART NUMBER		PART NAME		CODE NO. FROM - TO	QTY	REMARKS	INTERCHANGEABLE PART NUMBER	FIG. NO.
		PART NUMBER		SPEC. NO.					
10	277-10101-01		CRANK CASE CP		-	1			100
	277-10102-01		EX170D20010		-	1	W/OIL SENSOR		100
			EX170D50020		-	1			100
			EX170D51010		-	1			100
			EX170D52010		-	1			100
			EX170D52020		-	1			100
20	237-14202-03		VALVE GUIDE		-	2	5.5DX9.5DX27L		100
26	277-16010-01		STEM SEAL		-	1	5DX11.6DX15DX7.8T		100
30	044-02502-00		OIL SEAL		-	1	24.5DX38DX7T		100
40	060-02800-20		BALL BEARING		-	1	28DX58DX16B		100
50	277-15011-03		PIPE KNOCK		-	2	10DX8.5DX14L		100
60	010-50802-50		STUD		-	2	M8X1.25X25L		100
70	010-50603-51		STUD		-	2	M6X1.0X98L		100
75	044-00600-20		OIL SEAL		-	1	5.6DX10DX2.5T		100
80	040-11400-30		PLUG		-	2	M14X1.5X20DX12L		100
90	021-11400-20		GASKET		-	2	14.1DX19DX2.3T		100
210	277-11001-11		MAIN BEARING COVER C		-	1	FLANGE 4-M8X1.25		100
	277-11002-01		EX170D50000		-	1	FLANGE 4-5/16-24UNF		100
			EX170D50020		-	1			100
			EX170D51010		-	1			100
			EX170D52010		-	1			100
			EX170D52020		-	1			100
220	044-02502-10		OIL SEAL		-	1	24.5DX41.25DX6T		100
230	060-02500-10		BALL BEARING		-	1	6205 25DX52DX15B		100
250	277-45004-21		GOVERNOR GEAR CP		-	1	52.5DX29T N=33		100
260	263-41901-03		GOVERNOR SLEEVE		-	1	6DX7.6DX16DX26L		100
270	277-63601-03		OIL GAUGE		-	1	M18X1.5 L=70+18		100
275	277-65001-03		FILLER PLUG		-	1	M18X1.5 L=12+18		100
280	021-31600-20		GASKET		-	1	16DX23DX2.2T		100
281	021-31600-20		GASKET		-	1	16DX23DX2.2T		100
300	001-04083-50		FLANGE BOLT		-	6			100
610	277-13001-01		CYLINDER HEAD CP		-	1			100
620	277-15001-13		GASKET (HEAD)		-	1			100
630	011-00802-40		FLANGE BOLT		-	4	M8X1.25X68L		100
631	001-04083-50		FLANGE BOLT		-	1			100
680	277-15501-01		ROCKER COVER CP		-	1			100

FIG. 200

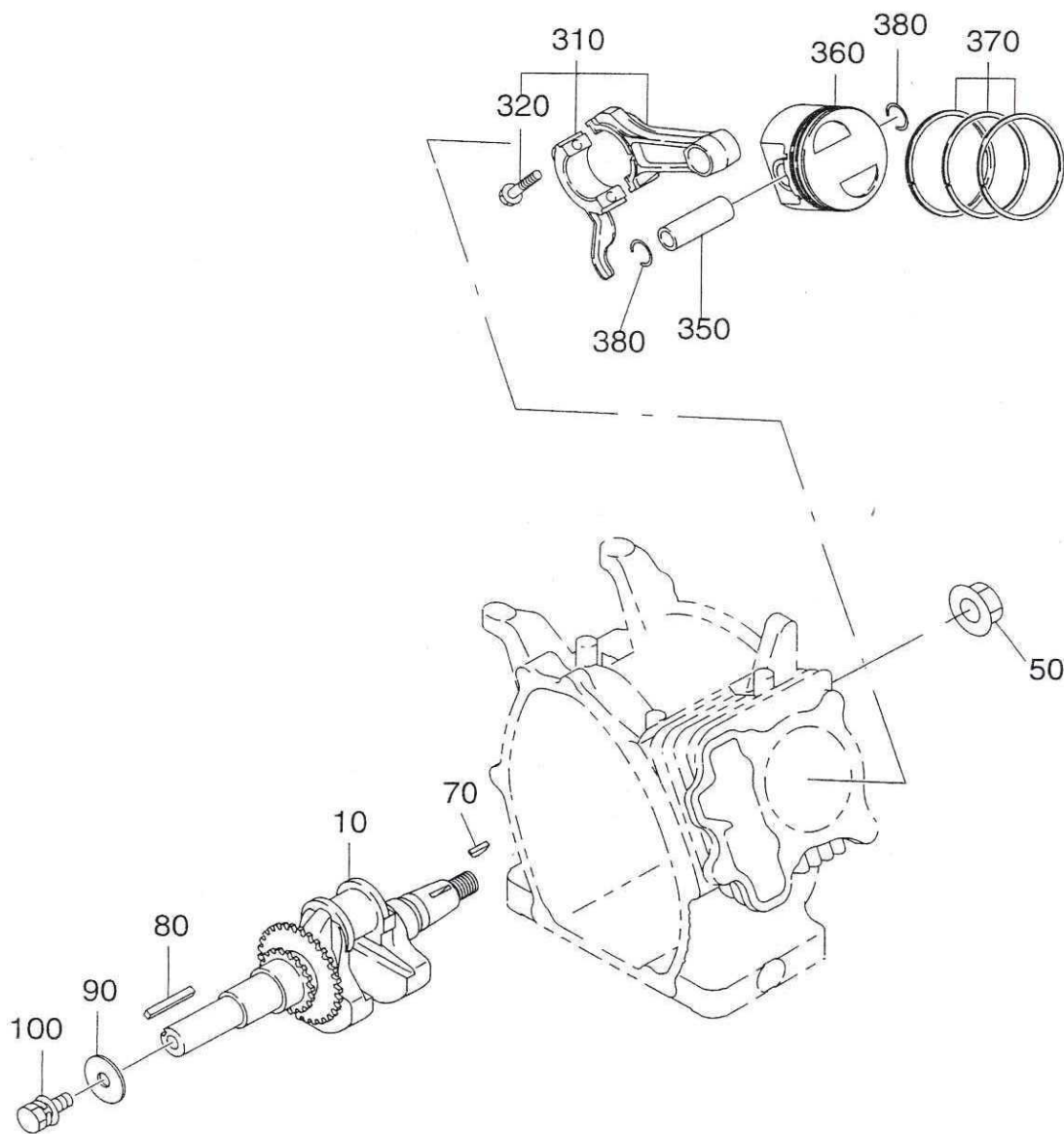


FIG. 300

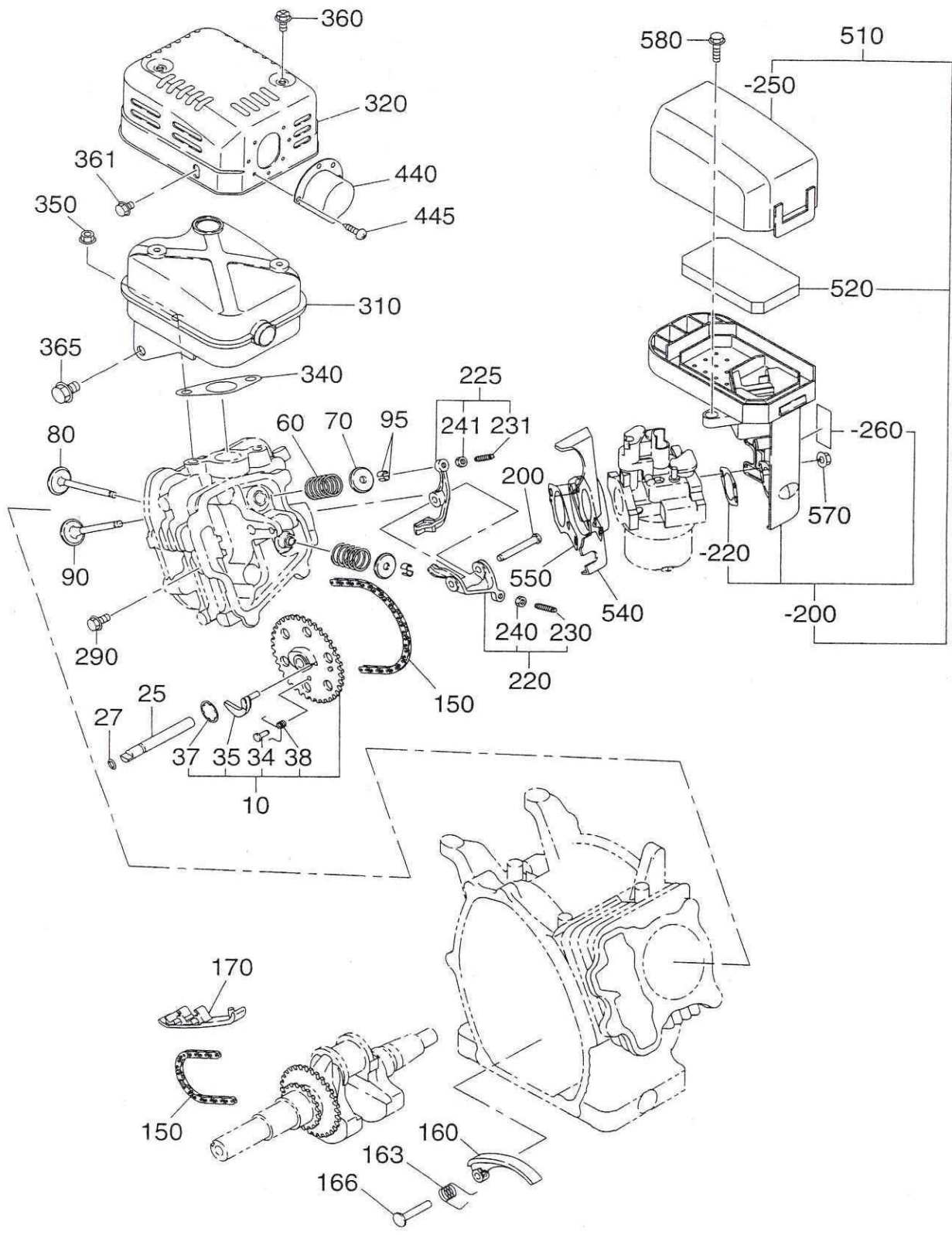
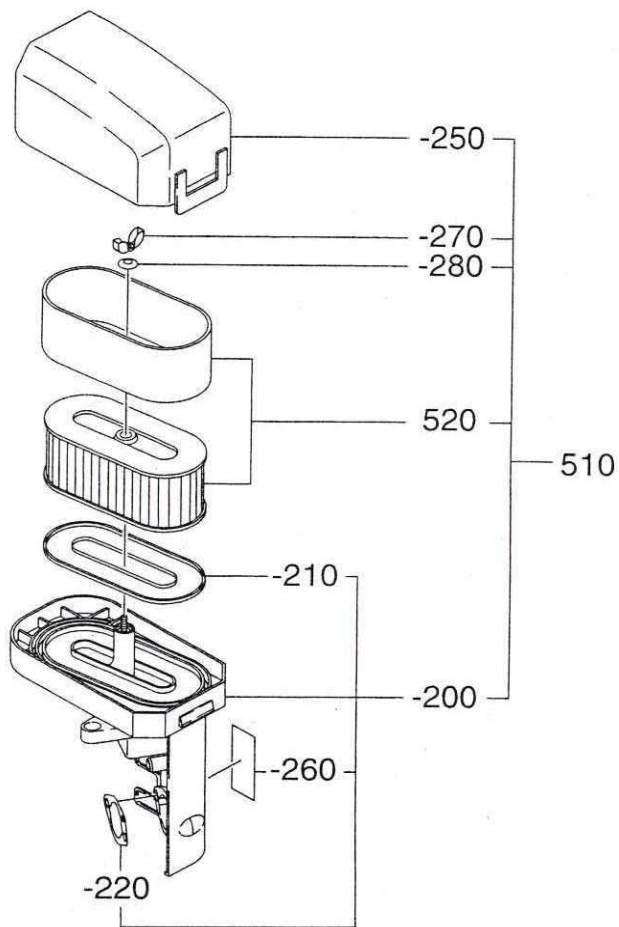


FIG. 315



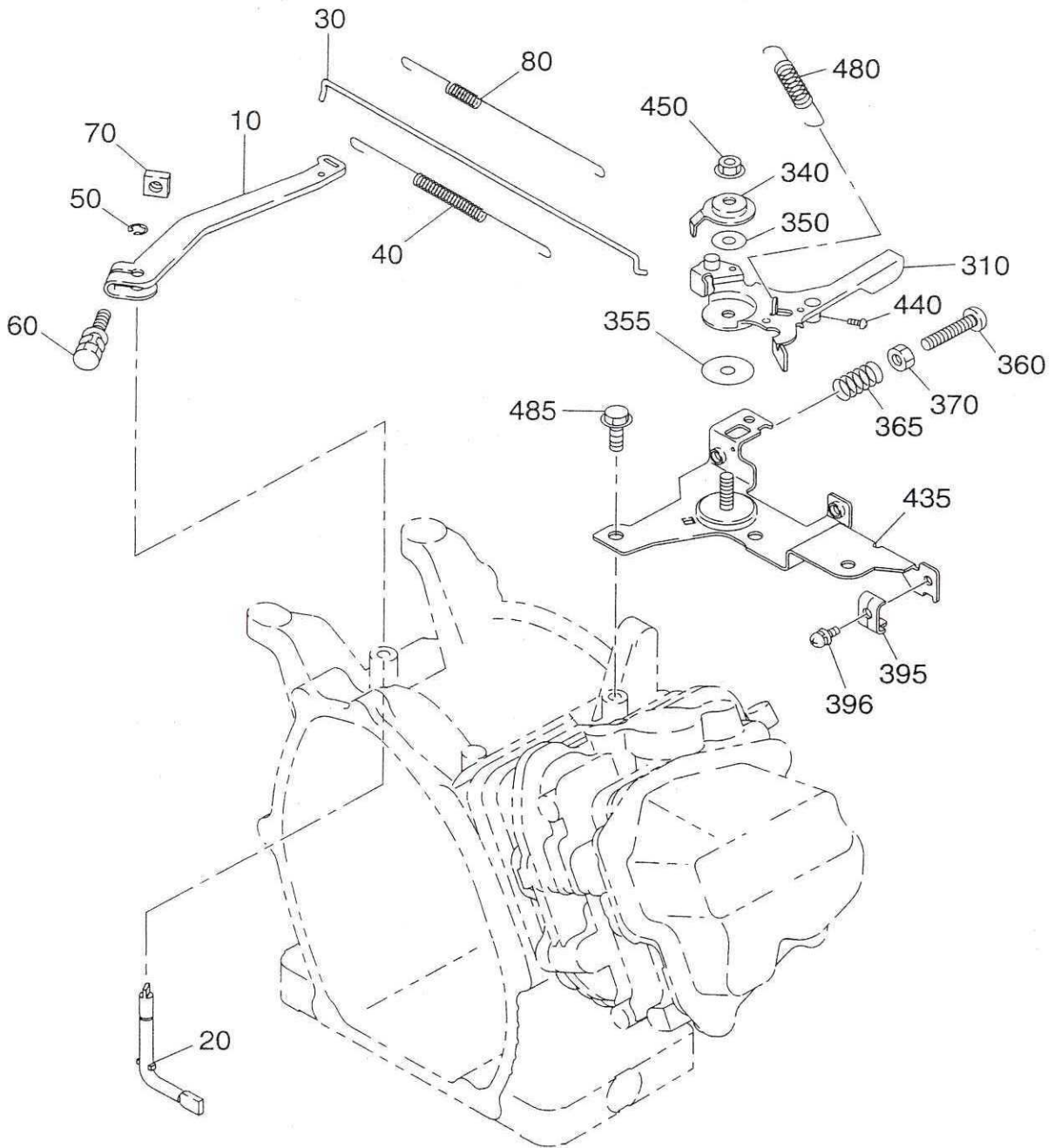
3 INTAKE EXHAUST

REF. NO.	PART NUMBER		PART NAME		CODE NO. FROM - TO	QTY	REMARKS	INTERCHANGEABLE PART NUMBER	FIG. NO.
		PART NUMBER		SPEC. NO.					
10	277-31601-01		CAM SHAFT CP		-	1	84.5DX32.4B N=40		300
25	277-35101-03		PIN(CAM SHAFT)		-	1	9DX78.5L		300
27	024-00600-10		O RING		-	1	5.8DX9.6DX1.9T		300
34	277-38601-03		PIN(SPRING)		-	1	4DX7.5DX11L		300
35	277-36401-03		RELEASE LEVER		-	1			300
37	277-36501-03		CLIP		-	1	13.8DX20.3DX0.4T		300
38	277-38701-03		RETURN SPRING		-	1			300
60	279-33601-03		VALVE SPRING		-	2	17DX2.3DX27L N=5.8		300
70	269-33701-03		SPRING RETAINER		-	2			300
80	277-33401-13		INTAKE VALVE		-	1	25.5DX5.5DX68.1L		300
90	277-33501-13		EXHAUST VALVE		-	1	23.5DX5.5DX68.1L		300
95	132-10KA0-31		COLLET-VALVE		-	4			300
150	277-35601-01		TIMING CHAIN CP		-	1	88 LINK		300
160	277-36911-03		TENTIONER		-	1			300
163	277-37101-03		SPRING(TENTIONER)		-	1			300
166	277-36902-03		PIN(TENTIONER)		-	1	6DX13DX34L		300
170	277-36913-13		CHAIN GUIDE		-	1			300
200	277-35001-03		PIN(ROCKER)		-	1	6DX9DX41L		300
220	277-36101-00		ROCKER ARM(IN) AY		-	1			300
225	277-36102-00		ROCKER ARM(EX) AY		-	1			300
230	014-90500-10		ADJUST SCREW		-	1	M5X0.5X23L		300
231	014-90500-10		ADJUST SCREW		-	1	M5X0.5X23L		300
240	017-00500-20		NUT		-	1	M5X0.5X4.1H		300
241	017-00500-20		NUT		-	1	M5X0.5X4.1H		300
290	011-00600-20		FLANGE BOLT		-	1	M6X1.0X12L		300
310	277-30101-11		MUFFLER CP		-	1			300
320	277-34201-01		MUFFLER COVER CP		-	1			300
340	277-35201-03		GASKET(MUFFLER)		-	1	26D 9DX58P 0.2T		300
350	980-20082-80		FLANGE NUT		-	2			300
360	015-20600-90		TAPPING BOLT		-	2	M6X1.0X10L		300
361	011-00600-10		FLANGE BOLT		-	1	M6X1.0X8L		300
365	011-00801-50		FLANGE BOLT		-	1	M8X1.25X12L		300
440	*****		DEFLECTOR						
	277-37001-03		EX170D40010		-	1			300
			EX170D50020		-	1			300
445	*****		TAPPING SCREW						

3 INTAKE EXHAUST

REF. NO.	PART NUMBER		PART NAME		CODE NO. FROM - TO	QTY	REMARKS	INTERCHANGEABLE PART NUMBER	FIG. NO.
		PART NUMBER		SPEC. NO.					
445		015-00400-60		EX170D40010	-	2			300
				EX170D50020	-	2			300
510		277-32611-00		AIR CLEANER AY	-	1			300
		277-32612-00		EX170D20010	-	1	DUAL		315
				EX170D40010	-	1			315
				EX170D50020	-	1			315
				EX170D51010	-	1			315
-200		277-32601-08		BASE CP	-	1			300
		277-32605-08		EX170D20010	-	1			315
				EX170D40010	-	1			315
				EX170D50020	-	1			315
				EX170D51010	-	1			315
-210		*****		PACKING					
		277-32610-08		EX170D20010	-	1			315
				EX170D40010	-	1			315
				EX170D50020	-	1			315
				EX170D51010	-	1			315
-220		277-32604-08		PACKING	-	1			300
-250		277-32602-08		COVER CP	-	1			300
-260		277-32609-08		LABEL	-	1			300
-270		*****		WING NUT					
		277-32607-08		EX170D20010	-	1			315
				EX170D40010	-	1			315
				EX170D50020	-	1			315
				EX170D51010	-	1			315
-280		*****		WASHER					
		277-32608-08		EX170D20010	-	1			315
				EX170D40010	-	1			315
				EX170D50020	-	1			315
				EX170D51010	-	1			315
520		277-32603-08		ELEMENT	-	1			300
		277-32611-07		EX170D20010	-	1	DUAL		315
				EX170D40010	-	1			315
				EX170D50020	-	1			315
				EX170D51010	-	1			315
540		277-32901-13		INSULATOR	-	1			300

FIG. 400



4 GOVERNOR OPERATION

REF. NO.	PART NUMBER		PART NAME		CODE NO. FROM - TO	QTY	REMARKS	INTERCHANGEABLE PART NUMBER	FIG. NO.
		PART NUMBER		SPEC. NO.					
10	277-42301-13		GOVERNOR LEVER		-	1			400
20	277-42201-13		GOVERNOR SHAFT		-	1			400
30	277-42701-01		GOVERNOR ROD CP		-	1			400
40	277-42801-13		ROD SPRING		-	1	7DX0.5DX182L N=16		400
50	003-13050-00		CLIP		-	1			400
60	013-00602-40		BOLT AND WASHER AY		-	1			400
70	018-60600-20		NUT		-	1	M6X1.0X4.9H		400
80	279-42502-23		GOVERNOR SPRING		-	1			400
	276-42505-33		EX170D20010		-	1			400
			EX170D52020		-	1			400
310	277-43301-13		SPEED CONTROL LEVER		-	1			400
340	277-43501-03		STOP PLATE		-	1			400
350	020-00601-70		WASHER		-	1	6DX24DX2T		400
355	021-70600-70		FRICTION WASHER		-	1	6.5DX24DX0.8T		400
360	014-00601-80		SCREW		-	1	M6X1.0X35L		400
365	237-45004-23		SPRING (ADJUST)		-	1			400
370	002-17060-00		NUT		-	1			400
395	*****		CLAMP						
	277-43901-03		EX170D40010		-	1			400
			EX170D50020		-	1			400
396	*****		SCREW AND WASHER AY						
	004-36051-60		EX170D40010		-	1		001-17051-60	400
			EX170D50020		-	1			400
435	277-46001-01		SPEED CONT. BRKT CP		-	1			400
440	*****		SCREW						
	004-31040-80		EX170D40010		-	1			400
			EX170D50020		-	1			400
450	002-35060-00		SELF LOCK NUT		-	1			400
480	*****		RETURN SPRING						
	277-45101-03		EX170D40010		-	1			400
			EX170D50020		-	1			400
485	011-00600-20		FLANGE BOLT		-	2	M6X1.0X12L		400

FIG. 500

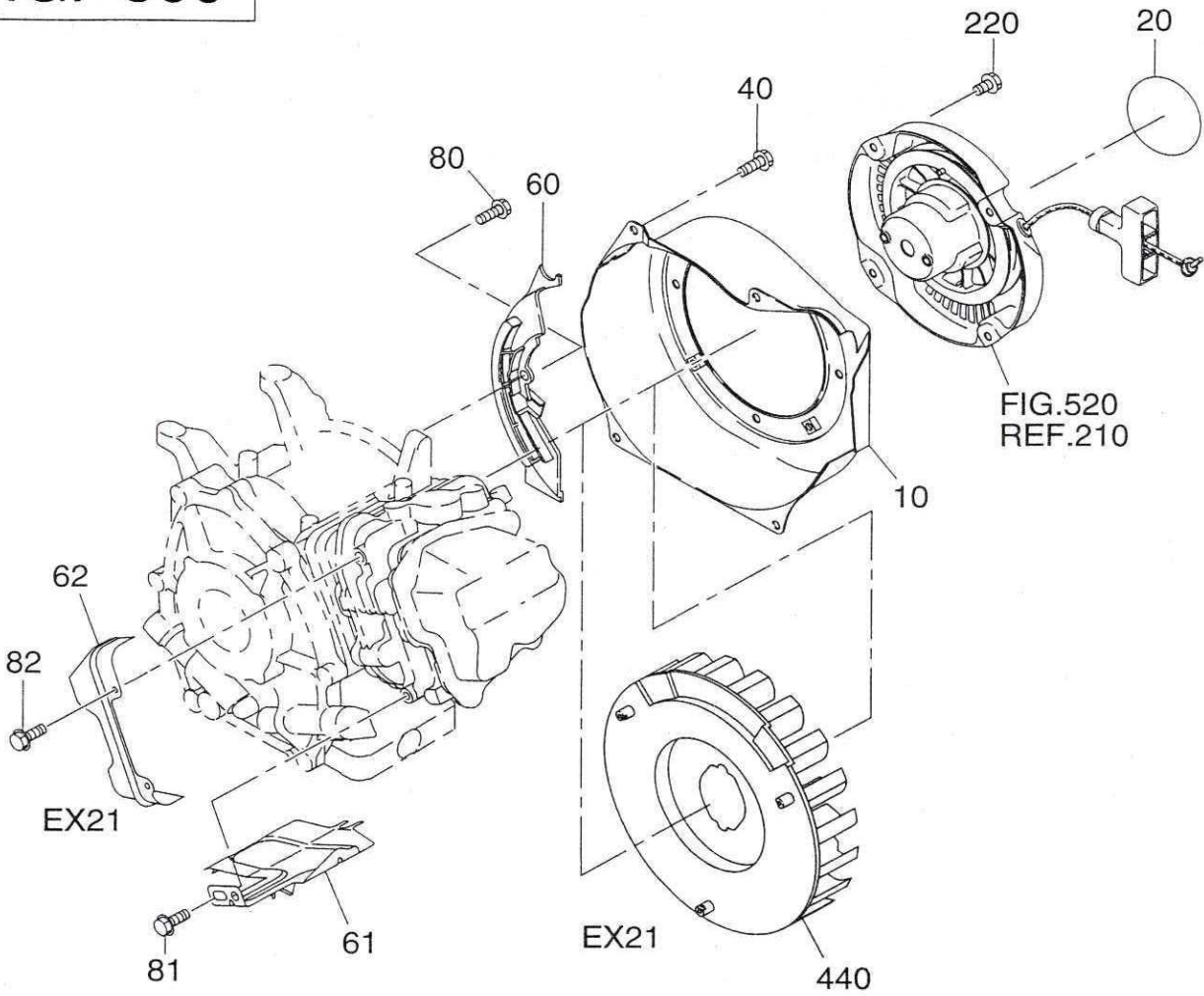
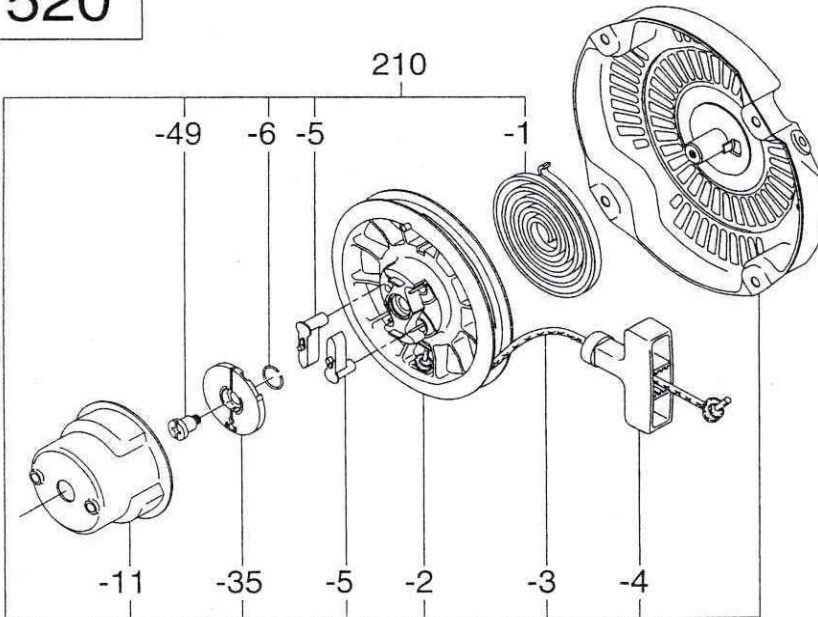


FIG. 520



6 FUEL LUBRICANT

REF. NO.	PART NUMBER		PART NAME		CODE NO. FROM - TO	QTY	REMARKS	INTERCHANGEABLE PART NUMBER	FIG. NO.
		PART NUMBER		SPEC. NO.					
10	277-60101-01		FUEL TANK CP		-	1	3. 6L NEW R YELLOW		600
	277-60102-01		EX170D50020		-	1	3. 6L BLACK		600
			EX170D51010		-	1			600
			EX170D52010		-	1			600
	277-60201-01		EX170D20010		-	1	3. 6L W/GAUGE N-R YEL		600
			EX170D40010		-	1			600
20	073-20049-80		LABEL (WARNING)		-	1			600
	073-20051-80		EX170D00010		-	1			600
			EX170D10010		-	1			600
			EX170D50000		-	1			600
			EX170D50020		-	1			600
			EX170D51010		-	1			600
			EX170D52010		-	1			600
			EX170D52020		-	1			600
23	277-95101-03		LABEL (MODEL)		-	1			600
30	043-04400-50		FUEL TANK CAP CP		-	1			600
40	064-13600-10		FUEL FILTER		-	1	36DX46DX43H		600
45	* * * * *		FUEL GAUGE CP						
	064-80002-00		EX170D20010		-	1			600
			EX170D40010		-	1			600
46	* * * * *		SCREW (COUNTER HEAD)						
	014-50500-40		EX170D20010		-	2	M5X0. 8X10L		600
			EX170D40010		-	2			600
48	050-51200-20		UNION		-	1			600
60	002-38060-00		FLANGE NUT		-	2			600
63	011-00601-30		FLANGE BOLT		-	1	M6X1. 0X25L		600
80	085-10600-00		RUBBER PIPE		-	1	6DX12D		600
90	056-11000-30		HOSE CLAMP		-	2	10DX8BX1T		600
210	277-62301-00		CARBURETOR AY		-	1			640
	277-62302-00		EX170D20010		-	1			640
			EX170D40010		-	1			640
			EX170D50020		-	1			640
			EX170D51010		-	1			640
- 1	277-62535-08		THROTTLE VALVE		-	1			640
- 3	277-62525-08		CHOKE VALVE		-	1			640
- 5	246-62420-08		PILOT JET		-	1	#40		640

6 FUEL LUBRICANT

REF. NO.	PART NUMBER		PART NAME		CODE NO. FROM - TO	QTY	REMARKS	INTERCHANGEABLE PART NUMBER	FIG. NO.
		PART NUMBER		SPEC. NO.					
- 8		277-62520-08		CHOKE LEVER	-	1			640
- 11		277-62530-08		THROTTLE SHAFT	-	1			640
		277-62531-08		EX170D20010	-	1			640
				EX170D40010	-	1			640
				EX170D50020	-	1			640
				EX170D51010	-	1			640
- 12		227-62451-08		BOLT	-	1			640
- 14		277-62500-08		NEEDLE	-	1			640
- 15		277-62515-08		PIN	-	1			640
- 16		277-62505-08		FLOAT BODY	-	1			640
- 17		214-62450-08		PACKING	-	1			640
- 18		214-62540-08		CHAMBER PACKING	-	1			640
- 19		226-62506-08		FLOAT AY	-	1			640
- 20		277-62440-08		MAIN NOZZLE	-	1			640
- 22		226-62411-08		MAIN JET	-	1	#77.5		640
		277-62401-08		EX170D20010	-	1	#76.3		640
				EX170D40010	-	1			640
				EX170D50020	-	1			640
				EX170D51010	-	1			640
- 24		226-62701-08		CLIP	-	1			640
- 28		277-62350-08		BOLT	-	1			640
- 32		*****		SEAL					
		246-62390-08		EX170D20010	-	1			640
				EX170D40010	-	1			640
				EX170D50020	-	1			640
				EX170D51010	-	1			640
- 41		230-62446-08		SPRING	-	1			640
- 44		105-62410-08		AIR JET	-	1			640
- 45		106-62410-08		AIR JET (PILOT)	-	1			640
- 62		*****		SEAL					
		236-62680-08		EX170D20010	-	1			640
				EX170D40010	-	1			640
				EX170D50020	-	1			640
				EX170D51010	-	1			640
-104		236-62541-08		PACKING	-	1			640
224		277-43801-01		CHOKE LEVER CP	-	1			600

FIG. 700

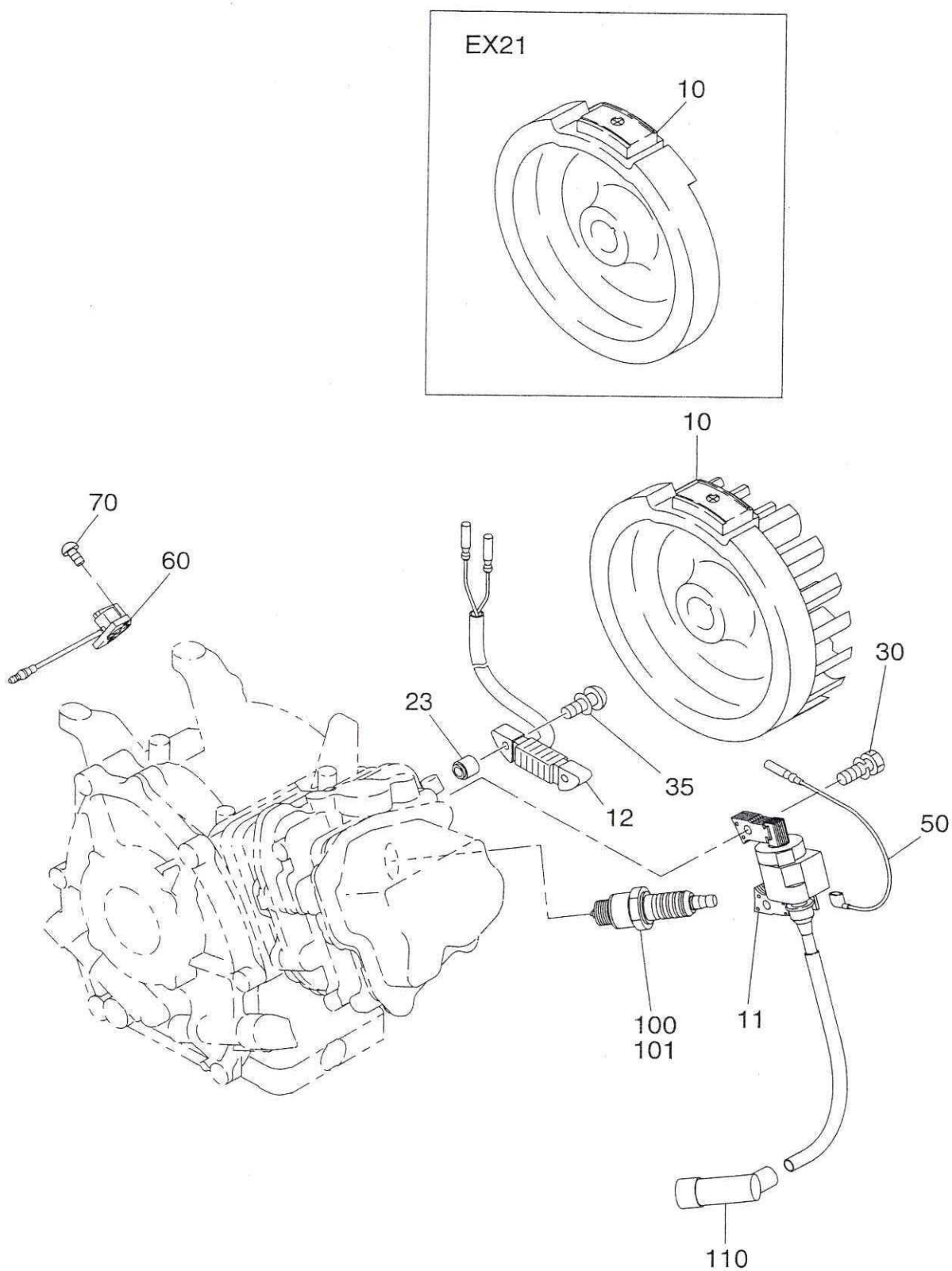
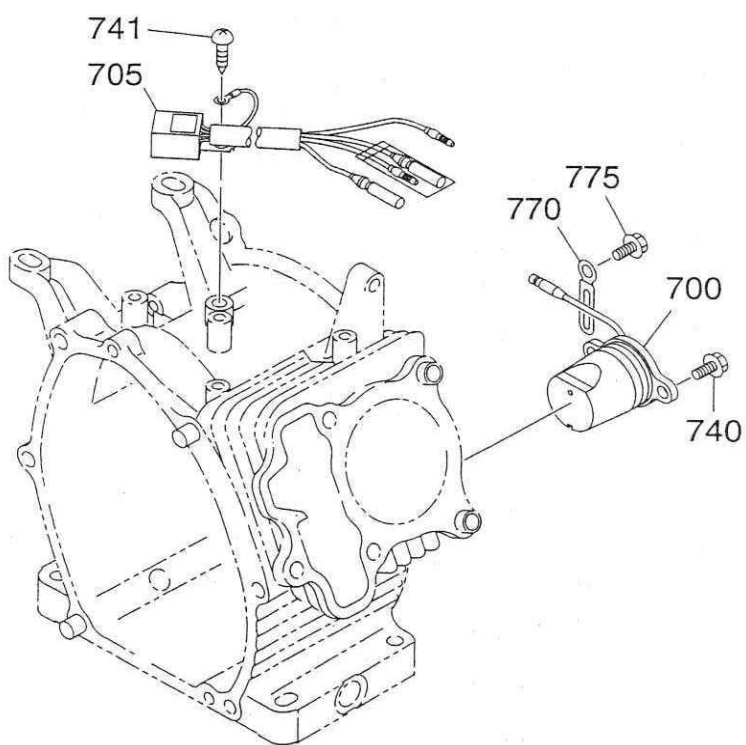


FIG. 770



7 ELECTRIC DEVICE

REF. NO.	PART NUMBER		PART NAME		CODE NO. FROM - TO	QTY	REMARKS	INTERCHANGEABLE PART NUMBER	FIG. NO.
		PART NUMBER		SPEC. NO.					
10	277-79230-01		FLYWHEEL CP		-	1			700
	277-79241-01		EX170D20010		-	1			700
11	277-79430-11		IGNITION COIL CP		-	1			700
12	*****		LAMP COIL CP						
	277-79301-01		EX170D20010		-	1			700
23	*****		SPACER						
	277-79501-03		EX170D20010		-	1			700
30	001-14062-50		BOLT AND WASHER AY		-	2			700
35	*****		BOLT AND WASHER AY						
	001-13063-50		EX170D20010		5511-	2			700
	004-35062-50		EX170D20010		-5510	2			700
50	277-73101-01		WIRE 1 CP		-	1	L=360 BLACK CB104TER		700
	277-73102-01		EX170D20010		-	1	L=360 BLACK CW104TER		700
			EX170D50020		-	1			700
			EX170D51010		-	1			700
			EX170D52010		-	1			700
			EX170D52020		-	1			700
60	X66-00003-61		SWITCH AY		-	1			700
70	015-00400-90		TAPPING SCREW		-	2	M4X10L		700
100	065-01401-50		SPARK PLUG		-	1	NGK BR6HS		700
101	RL86C		SPARK PLUG		-	1	CHAMPION		700
110	065-50002-70		SPARK PLUG CAP		-	1			700
700	*****		OIL SENSOR CP						
	277-76301-01		EX170D20010		-	1			770
			EX170D50020		-	1			770
			EX170D51010		-	1			770
			EX170D52010		-	1			770
			EX170D52020		-	1			770
705	*****		FLOAT C/U CP3						
	KU3-11043-01		EX170D20010		-	1			770
			EX170D50020		-	1			770
			EX170D51010		-	1			770
			EX170D52010		-	1			770
			EX170D52020		-	1			770
740	*****		BOLT AND WASHER AY						
	001-14061-60		EX170D20010		-	2			770

