

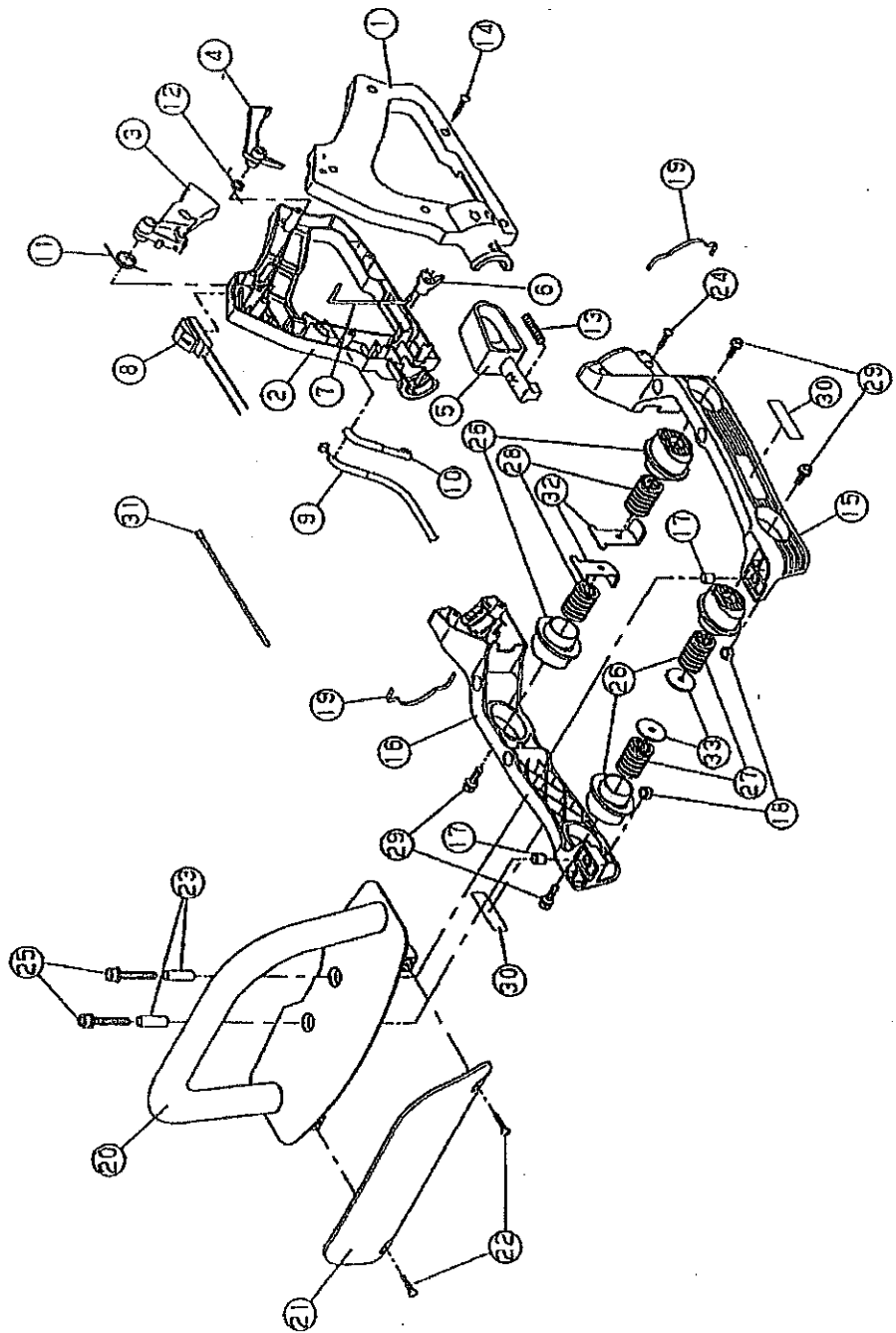
→ 1000000000

Hedgetrimmer

MODEL: HTF600D

PART-B

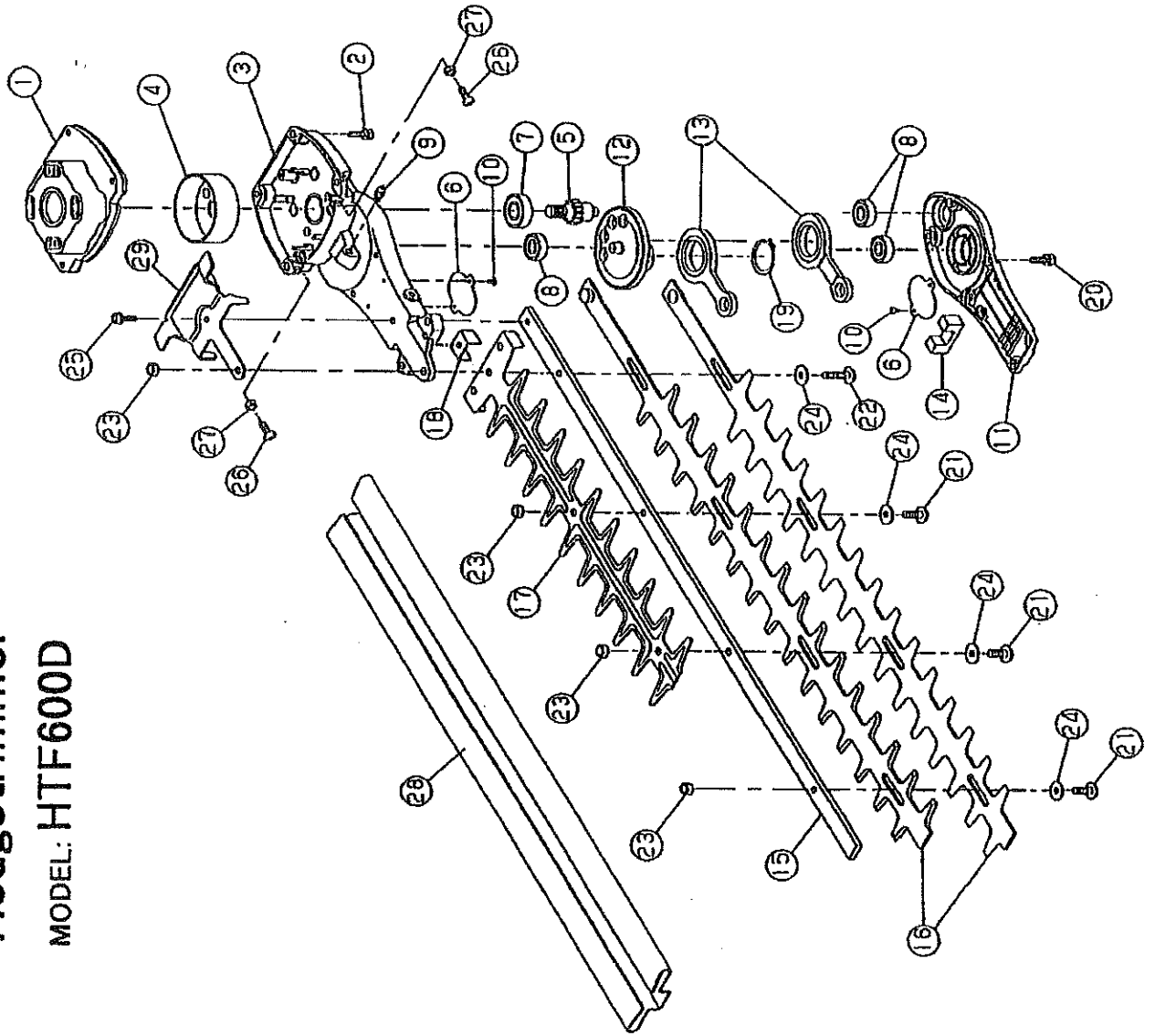
Ref. No.	Part Number	Description	Qty
B-1	TE2-1010010	REAR-HANDLE, L	1
B-2	TE2-1010020	REAR-HANDLE, R	1
B-3	TE2-1010030	LEVER, THROTTLE	1
B-4	TE2-1010040	LEVER, SAFETY	1
B-5	TE2-1007050	LEVER, LOCK	1
B-6	TE2-1013020	STOPPER, LOCK PIN	1
B-7	TE2-1007060	ROD	1
B-8	G014-222004	SLIDE SWITCH ASSY	1
B-9	G010-000350	CABLE, THROTTLE	1
B-10	TE2-1013010	SPACER	1
B-11	G003-000030	SPRING	1
B-12	G003-000040	SPRING	1
B-13	A002-050004	SPRING	1
B-14	K110-401602	SCREW, 4.0X16	5
B-15	TE2-5006010	ANTI-VIBRATION FRAME, L	1
B-16	TE2-5007010	ANTI-VIBRATION FRAME, R	1
B-17	K232-060080	SPACER	2
B-18	K164-060000	U-NUT, M6	2
B-19	G052-000980	LINE SEAL	2
B-20	TE2-3004010	HANDLE, FRONT	1
B-21	TE2-3003020	PROTECTOR	1
B-22	K113-401602	SCREW, 4.0X16	2
B-23	K232-060250	SPACER	2
B-24	K110-401602	SCREW, 4.0X16	3
B-25	K055-060420	BOLT, M6X42	2
B-26	TE2-5013000	DAMPER	4
B-27	G002-000230	SPRING	2
B-28	G002-000240	SPRING	2
B-29	K055-05016W	BOLT, M6X16	4
B-30	G051-001590	LABEL	2
B-31	R035-002000	BAND (V-100)	1
B-32	TE1-A058000	STOPPER, REAR	2
B-33	G018-000160	WASHER	2



HTF600D
PART-B

Hedgetrimmer

MODEL: HTF600D

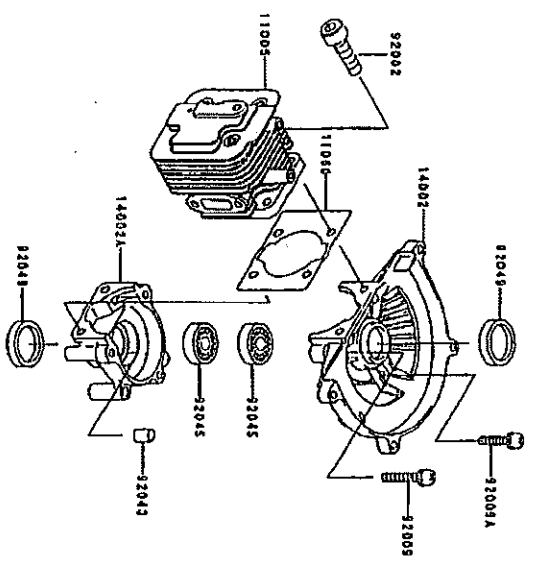


PART-A

Ref. No.	Part Number	Description	Qty
A-1	TE1-A041000	CASE CLUTCH	1
A-2	K054-050160	BOLT M5X16	4
A-3	TE5-A005000	UPPER CRANKCASE	1
A-4	136-141	DRUM	1
A-5	TE1-A042000	GEAR, PINION	1
A-6	TE1-A045000	PLATE, ROD SLIDE	2
A-7	K354-060010	BEARING BALL (UU6001)	1
A-8	K353-006080	BEARING BALL (ZZ608)	3
A-9	R055-000100	GREASE NIPPLE	1
A-10	K010-030050	SCREW, M3X5	4
A-11	TE5-A006000	LOWER CRANKCASE	1
A-12	TE1-A043000	GEAR CRANK	1
A-13	TE1-A044000	ROD	2
A-14	A288-112004	FELT	1
A-15	TE1-A046000	STAY BLADE	1
A-16	TE4-B330600	BLADE	2
A-17	A287-110002	GUARD, BLADE	1
A-18	A325-103004	REGULATOR	1
A-19	K283-026000	RING, SNAP	1
A-20	K054-050160	BOLT M5X16	6
A-21	A040-002009	SCREW, L=19	3
A-22	G040-005000	SCREW, L=26	1
A-23	K164-060000	U-NUT, M6	4
A-24	008-250	WASHER	4
A-25	K055-05016W	BOLT M5X16	1
A-26	K010-050100	SCREW, M5X10	2
A-27	K151-050000	HEX-NUT, M5	2
A-28	A028-002049	COVER, BLADE	1
A-29	TE1-A059000	STOPPER, FRONT	1

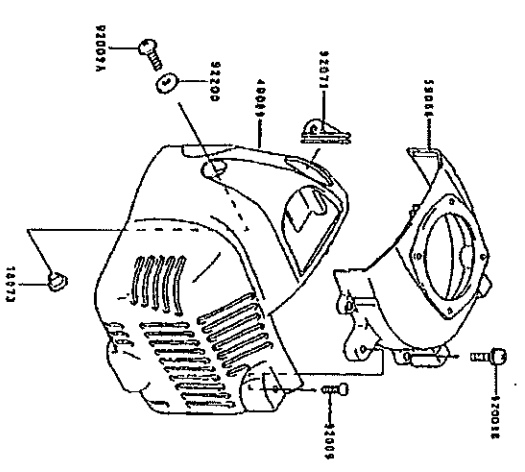
[04 ELECTRIC-EQUIPMENT]

Ref.	Part Number	Description	Q'ty
	16073	16073-2214 INSULATOR	2
	16073A	16073-2215 INSULATOR	2
	21050	21050-2296 FLYWHEEL	1
	21130	21130-2056 CAP-SPARK PLUG	2
	21169	21169-2051 TERMINAL	1
	21169A	21169-2072 TERMINAL	1
	21171	21171-2241 COIL-ASSY-IGNITION	1
	26011	26011-2370 WIRE-LEAD X	1
	92070	92070-2108 PLUG-SPARK	1
	92153	92153-2069 BOLT 04X25	2
	92210	92210-2094 NUT	2
	510	510A3100 KEY-WOODRUFF	1



[01 CYLINDER/CRANKCASE]

Ref.	Part Number	Description	Q'ty
	11005	11005-2150 CYLINDER-ENGINE	1
	11006	11006-2402 GASKET, CYLINDER	1
	14002	14002-2349 CRANKCASE	1
	14002A	14002-2353 CRANKCASE	1
	92002	92002-2163 BOLT	4
	92008	92008-2115 SCREW	1
	92009A	92009-2235 SCREW 5X25	2
	92043	92043-1302 PIN	2
	92045	92045-2060 BEARING-BALL 6001V4	2
	92048	92048-2108 SEAL-OIL	2

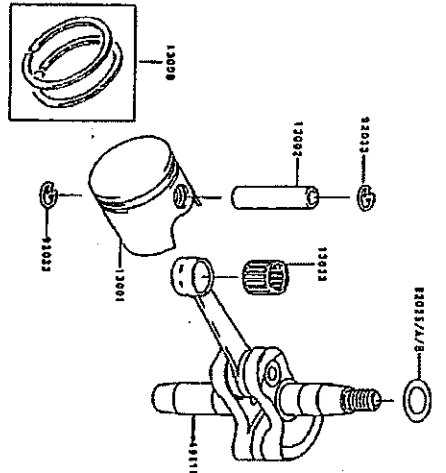


[03 COOLING-EQUIPMENT]

Ref.	Part Number	Description	Q'ty
	16073	16073-2197 INSULATOR	1
	49089	49089-2552 SHROUD-ENGINE	1
	53020	53020-2123 GUARD	1
	59086	59086-2781 HOUSING-FAN	1
	92009	92112-2061 SCREW 4X14	1
	92009A	92009-2394 SCREW 5X16	1
	92009B	92009-2395 SCREW 5X16	1
	92071	92071-2180 CROWMET	4
	92200	92200-2065 WASHER, 5X13.8X2.0	1

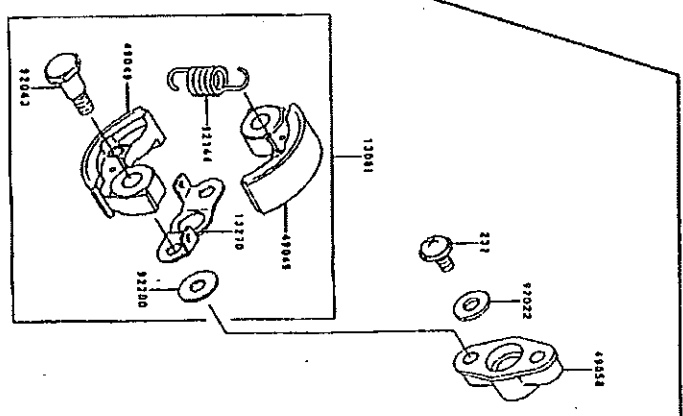
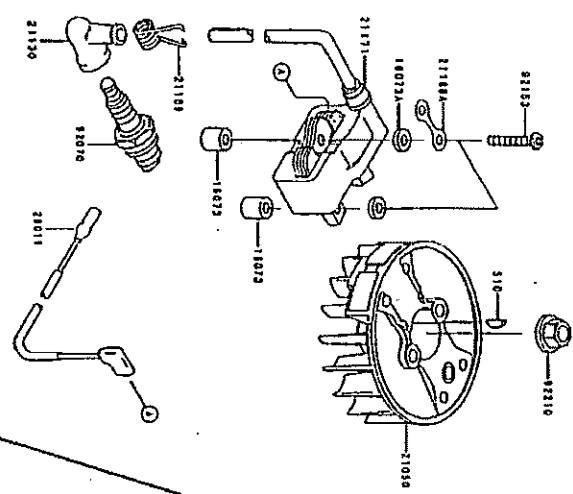
[02 PISTON/CRANKSHAFT]

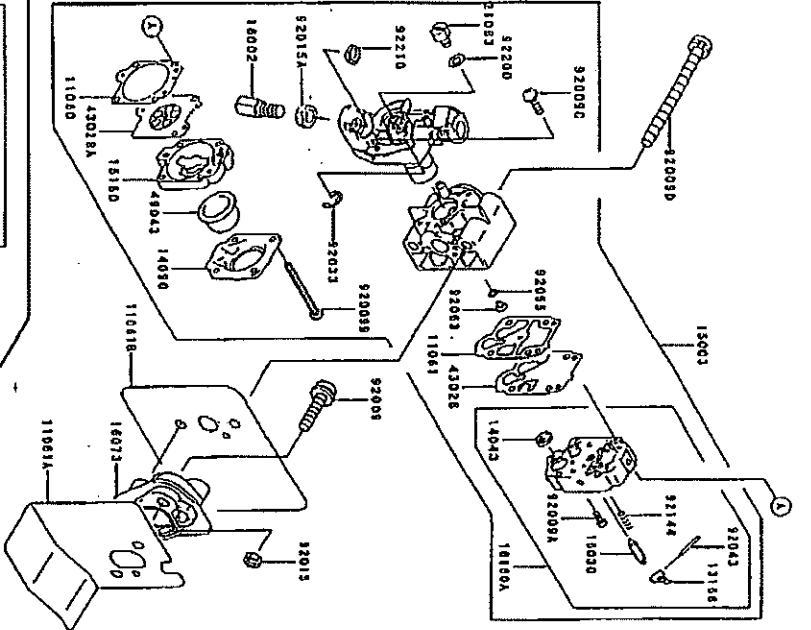
Ref.	Part Number	Description	Q'ty
	13001	13001-2154 PISTON-ENGINE	1
	13002	13002-2058 PIN-PISTON	1
	13008	13008-6050 RING-SET-PISTON	1
	13033	13033-2055 BEARING-SMALL END	1
	49119	49119-2237 CRANKSHAFT-ASSY	1
	92025	92025-2104 SHIM, T=0.20	AR
	92025A	92025-2105 SHIM, T=0.40	AR
	92025B	92025-2106 SHIM, T=0.60	AR
	92033	92033-2191 RING-SNAP	2



[09 P.T.O.-EQUIPMENT]

Ref.	Part Number	Description	Q'ty
	13081	13081-2207 CLUTCH-ASSY	1
	13270	13270-2046 PLATE	1
	49049	49049-2096 SHOE-CLUTCH	2
	49058	49058-2053 WHEEL, CLUTCH	1
	92022	92022-2374 WASHER, 6.5X14.5X1.0	1
	92043	92043-2075 PIN	2
	92144	92144-2086 SPRING, CLUTCH	1
	92200	92200-2072 WASHER, 6X14X1.0	2
	232	232B0612 SCREW-PAN-WSS-	1



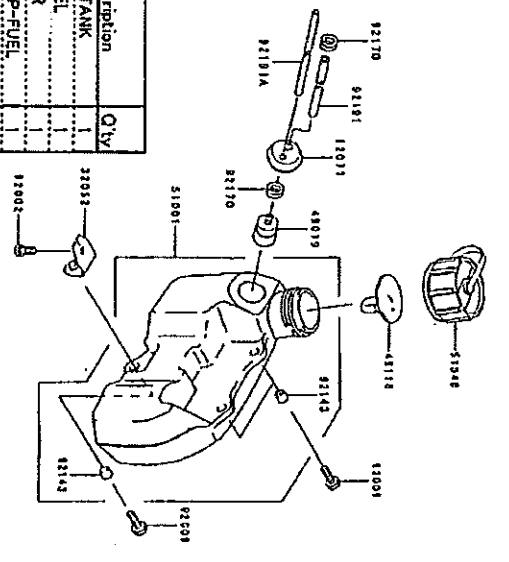


[05 CARBURETOR]

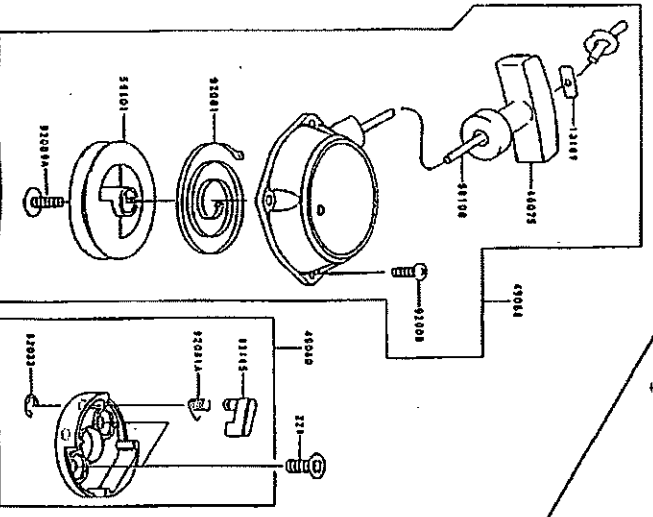
Ref. No.	Part Number	Description	Qty
11060	11060-2111	GASKET	1
11061	11061-2054	GASKET	1
11061A	11061-2098	GASKET	1
11061B	11061-2107	GASKET CARBURETOR	1
13168	13168	LEVER	1
14043	14043-2051	FILTER	1
14090	14090-2011	COVER, PRIMING PUMP	1
15003	15003-2807	CARBURETOR ASSY	1
6802	6802-2058	ADJUSTER-CABLE	1
16030	16030-2078	VALVE-FLOAT	1
6073	6073-223	INSULATOR	1
16160	16160-2089	BODY	1
16160A	16160-2103	BCD	1
21083	21083-2073	ARM	1
43028	43028-2067	DIAPHRAGM	1
43028A	43028-2090	DIAPHRAGM	1
48043	48043-2067	PUMP-PRIMING	1
92009	92009-2249	SCREW, 5X20	2
92009A	92009-2336	SCREW	2
92009B	92009-2337	SCREW	4
92009C	92009-2373	SCREW	2
92009D	92009-2398	SCREW, 5X60	2
92015	92015-2097	NUT, MS	2
92015A	92015-2145	NUT	1
92033	92033-2078	RING-SNAP	1
92043	92043-2094	PIN	1
92055	92055-2147	RING-O	1
92063	92063-2425	JET-MAIN #32.5	1
92144	92144-2308	SPRING	1
92201	92201-2074	WASHER	1
92210	92210-2089	NUT	1

[07 FUEL-TANK/FUEL-VALVE]

Ref. No.	Part Number	Description	Qty
32052	32052-2228	BRACKET-TANK	1
49019	49019-2111	FILTER-FUEL	1
49116	14089-2088	BREATHER	1
51001	51001-2310	TANK-COMP-FUEL	1
51048	51048-2078	CAP-ASSY-TANK	1
92602	92602-2313	BOLT	1
92009	92009-2388	SCREW, 5X16	3
92071	92071-2142	GROMMET FUEL TANK	1
92143	92143-2161	COLLAR TANK	3
92170	92170-2080	CLAMP FUEL FILTER	2
92191	92191-2154	TUBE	2
92191A	92191-2155	TUBE	1



[08 STARTER]



Ref. No.	Part Number	Description	Qty
13165	13165-2052	PAW	1
13169	13169-2386	PALTE, RECOIL STARTER	1
48075	48075-2116	GRIP RECOIL STARTER	1
49080	49080-2099	PULLEY-STARTING	1
49088	49088-2515	STARTER-RECOIL	1
59101	59101-2106	REEL, RECOIL STARTER	1
59106	59106-2147	ROPE, 3.5X800	1
92008	92008-2236	SCREW, 4X14	4
92009A	92009-2358	SCREW	1
92033	92033-2010	RING-SNAP	1
92081	92081-2238	SPRING RECOIL	1
92081A	92081-2253	SPRING	1
221	221B081.6	SCREW-CSK-CROSS	2

[06 AIR-FILTER/MUFFLER]

Ref. No.	Part Number	Description	Qty
11010	11010-2572	FILTER-ASSY-AIR	1
11011	11011-2332	CASE-AIR FILTER	1
11013	11013-2208	ELEMENT-AIR FILTER	1
11061	11061-2082	GASKET MUFFLER	1
11061A	11061-2154	GASKET	1
11065	11065-2102	CAP	1
14091	14091-2088	COVER	1
18020	18020-2082	BAFFLE	1
49069	49069-2369	MUFFLER-ASSY	1
59156	59156-2285	PIPE-TAIL	1
92009	92009-1002	SCREW, 5X10	1
92009A	92009-2393	SCREW, 5X12	1
92009B	92009-2446	SCREW	4
92151	92151-2074	BOLT, 5X55	2

