

Genuine Spare Parts

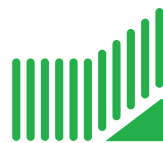
Catalogo delle parti di ricambio
Spare parts catalogue
Catalogue des pieces de rechange
Ersatzteilkatalog

2010

- Use GLOBAL GARDEN PRODUCT Genuine Spare Parts specified in the parts list for repair and/or replacement.
- The contents described in the parts list may change due to improvement.
- The drawings of the spare parts are only indicative and might not represent the part in question exactly.
- The indications "right" - "left" - "front" - "rear" refer to the position of the operator when using the machine.
- When placing orders of parts for repair and/or replacement, make sure that the illustrated parts list is the one applying to the machine's year of manufacture, as shown on the identification plate attached to the machine.

COPYRIGHT by GLOBAL GARDEN PRODUCTS

All rights reserved. No part of this material may be reproduced or transmitted, in any form or by any means, electronic or mechanical, including photocopying, recording or by any information storage and retrieval system, without permission in writing from GLOBAL GARDEN PRODUCTS.



GLOBAL GARDEN PRODUCTS

STAR

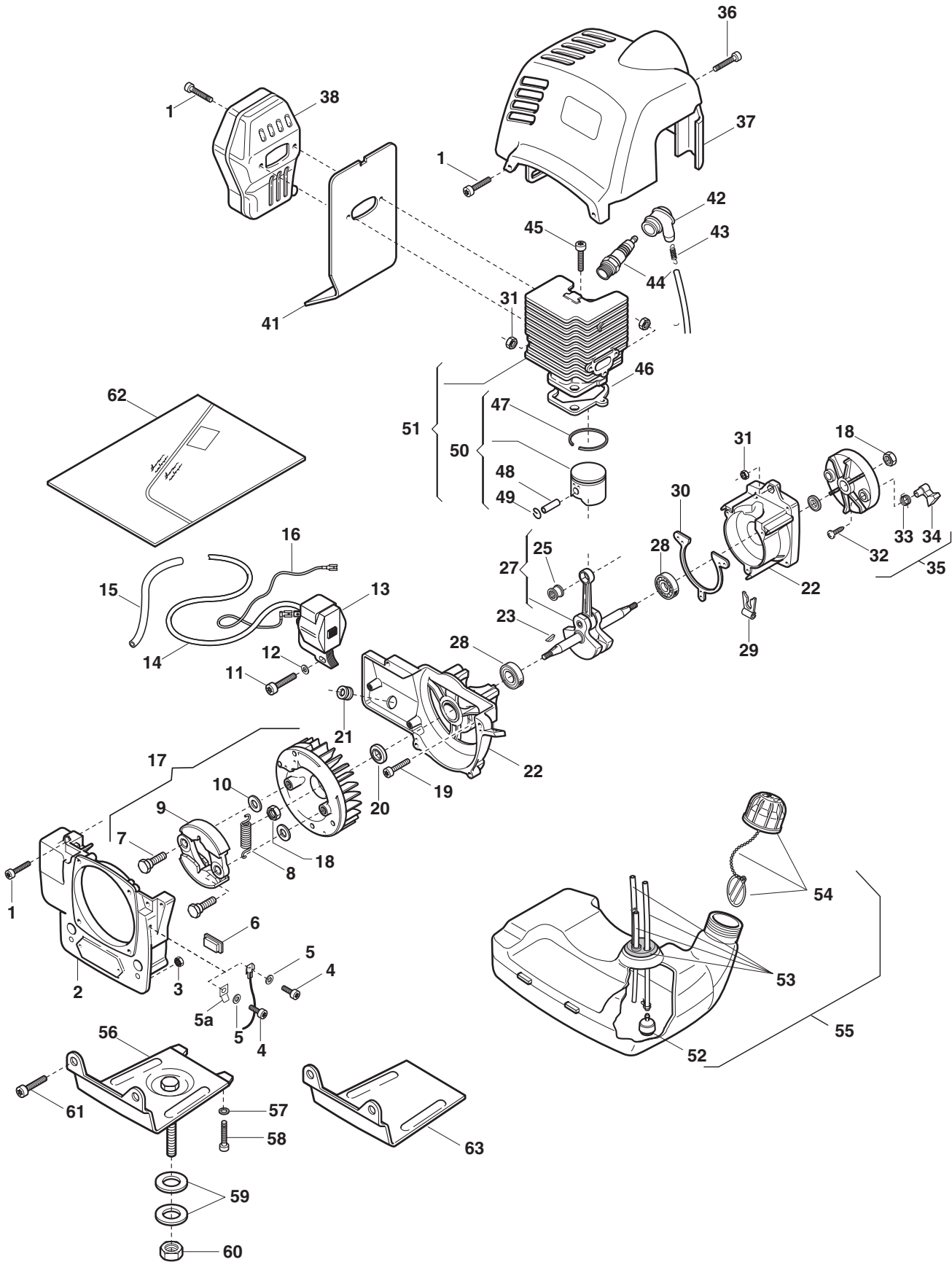
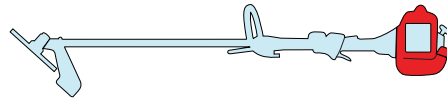
36

36D

41

41D

41F



POS.	CODE	Q.TY	DESCRIZIONE	DESCRIPTION	DESCRIPTION	BESCHREIBUNG	REMARKS
1	2135040	12	VITE	SCREW	VIS	SCHRAUBE	
2	4540800	1	CARTER X SUPPORTO TRASM.	TRASM. SUPPORT CASE	CARTER SUPPORT TRANSM.	GEHÄUSE GETRIEBE-PLATTFORM.	
3	2432030	2	DADO (FLEX)	NUT (FLEX)	ECROU (FLEX)	MUTTERSCHRAUBE (FLEX)	
4	2132500	1	VITE	SCREW	VIS	SCHRAUBE	
5	2312120	1	ROSETTA	WASHER	RONDELLE	SCHEIBE	
5a	3211420	1	FASTON (FLEX)	FASTON (FLEX)	FASTON (FLEX)	ERDUNGSSTECKER (FLEX)	
6	3745530	4	GOMMINO SUPPORTO	SERB.GROMMET	RONDELLE CAOU-TCHOUC	GUMMITRÄGER	
7	2653210	2	VITE	SCREW	VIS	SCHRAUBE	
8	3654040	1	MOLLA FRIZIONE	SPRING	RESSORT	KUPPLUNGSFEDER	
9	3660430/1	2	MASSA FRIZIONE	CLUTCH UNIT	EMBAYAGE	REIBUNGSMASSE	
10	2321230	2	ROSETTA	WASHER	RONDELLE	SCHEIBE	
11	2135060	2	VITE	SCREW	VIS	SCHRAUBE	
12	2321150	2	ROSETTA	WASHER	RONDELLE	SCHEIBE	
13	3211015	1	BOBINA ELETTRONICA	ELETTRONIC COIL	BOBINE ÉLECTRONIQUE	ELEKTRONIKSPULE	
14	3211080	1	FILO BOBINA	SPARK PLUG CABLE	FIL BOBINE	DRAHT ZÜNDKERZE	
15	3782040	1	GUAINA CAVO	WIRE SHEATH	GAINÉ CÂBLE	KABELMANTEL	
16	3211415	1	CAVO MASSA	EARTH CABLE	CÂBLE MASSE	ERDUNGSKABEL	
17	4251480/1	1	ASS. VOLANO C/MASSE (INCL. 7,9,10)	FLYWHEEL ASS.Y (INCL. 7,9,10)	ENS. VOLANT (INCL. 7,9,10)	SET SCHWUNGRAD (INCL.7,9,10)	
18	2670120	2	DADO	NUT	ECROU	MUTTER	
19	2135050	3	VITE	SCREW	VIS	SCHRAUBE	
20	3121070	2	ANELLO DI TENUTA	SEAL RING	ANNEAU DE TENUE	DICHTRING	
21	3745130	1	GOMMINO PASSACAVO	GROMMET	RONDELLE CAOU-TCHOUC	LIPPKLAMPE	
22	8521010	1	COPPIA CARTERS MOTORE	CRANCKASE ASS.Y	ENS. CARTER MOTEUR	PAAR MOTORABDECKUNG	
23	3151010	1	LINGUETTA VOLANO	FLYWHEEL KEY	CLAVETTE VOLANT	LASCHE SCHWUNGRAD	
25	3116100	1	ASTUCCIO A RULLI	NEEDLE BEARING	ROUL. À AIGUILLES	WALZENROHR	
27	8250840	1	ASS. ALBERO MOTORE (INCL. 25)	CRANKSHAFT (INCL. 25)	ARBRE MOTEUR (INCL. 25)	SET MOTORWELLE (INCL. 25)	
28	3112240	2	CUSCINETTO	BEARING	ROUL. À BILLES	KUGELLAGER	
29	3750280	1	GUIDA PASSACAVO	MASSATHREAD GUIDE	GUIDE-FIL	LIPPKLAMPE	
30	3724050	1	GUARNIZIONE CARTERS	GASKET	JOINT	DICHTUNG ABDECKUNG	
31	2432040	5	DADO	NUT	ECROU	MUTTER	
32	2123100	3	VITE	SCREW	VIS	SCHRAUBE	
33	3654050	2	MOLLA AGGANCIAMENTO	SPRING	RESSORT	FEDER SPERRUNG	
34	3749570	2	AGGANCIAMENTO AVVIAMENTO	STARTER HOOK	FIXATION DÉMARREUR	SPERRE STARTER	
35	8540810	1	ASS. COPPA AVVIAMENTO (INCL.32-34)	STARTER CUP ASS.Y (INCL.32-34)	ENS.COUPÉ DÉMARREUR (INCL.32-34)	SCHWUNGRAD MAGNET (INCL.32-34)	
36	2135180	1	VITE	SCREW	VIS	SCHRAUBE	
37	4563660	1	CUFFIA COPRICILINDRO GIALLO	CYLINDER COVER ASS.Y YELLOW	COUVERCLE CYLINDRE JAUNE	MOTORABDECKUNG GELB	
-	4563663	1	CUFFIA COPRICILINDRO ROSSO	CYLINDER COVER ASS.Y RED	COUVERCLE CYLINDRE ROUGE	MOTORABDECKUNG ROT	
38	4122120	1	SILENZIATORE	MUFFLER	SILENCIEUX	SCHALLDÄMPFER	
41	3724340	1	GUARNIZIONE SILENZIATORE	MUFFLER GASKET	JOINT SILENCIEUX	DICHTUNG SCHALLDÄMPFER	
42	3744850	1	CAPPUCCIO CANDELA	SPARK PLUG COVER	CAPUCHON BOUGIE	ZÜNDKERZENKAPPE	
43	3657530	1	TERMINALE FILO CANDELA	SPARK PLUG SPRING	BORNE FIL BOUGIE	DRAHTENDE ZÜNDKERZE	
44	3210024	1	CANDELA	SPARK PLUG	BOUGIE	ZÜNDKERZE	
45	2135150	2	VITE	SCREW	VIS	SCHRAUBE	
46	3724260	1	GUARNIZIONE CILINDRO	CYLINDER GASKET	JOINT CYLINDRE	ZYLINDERDICHTUNG	

STAR

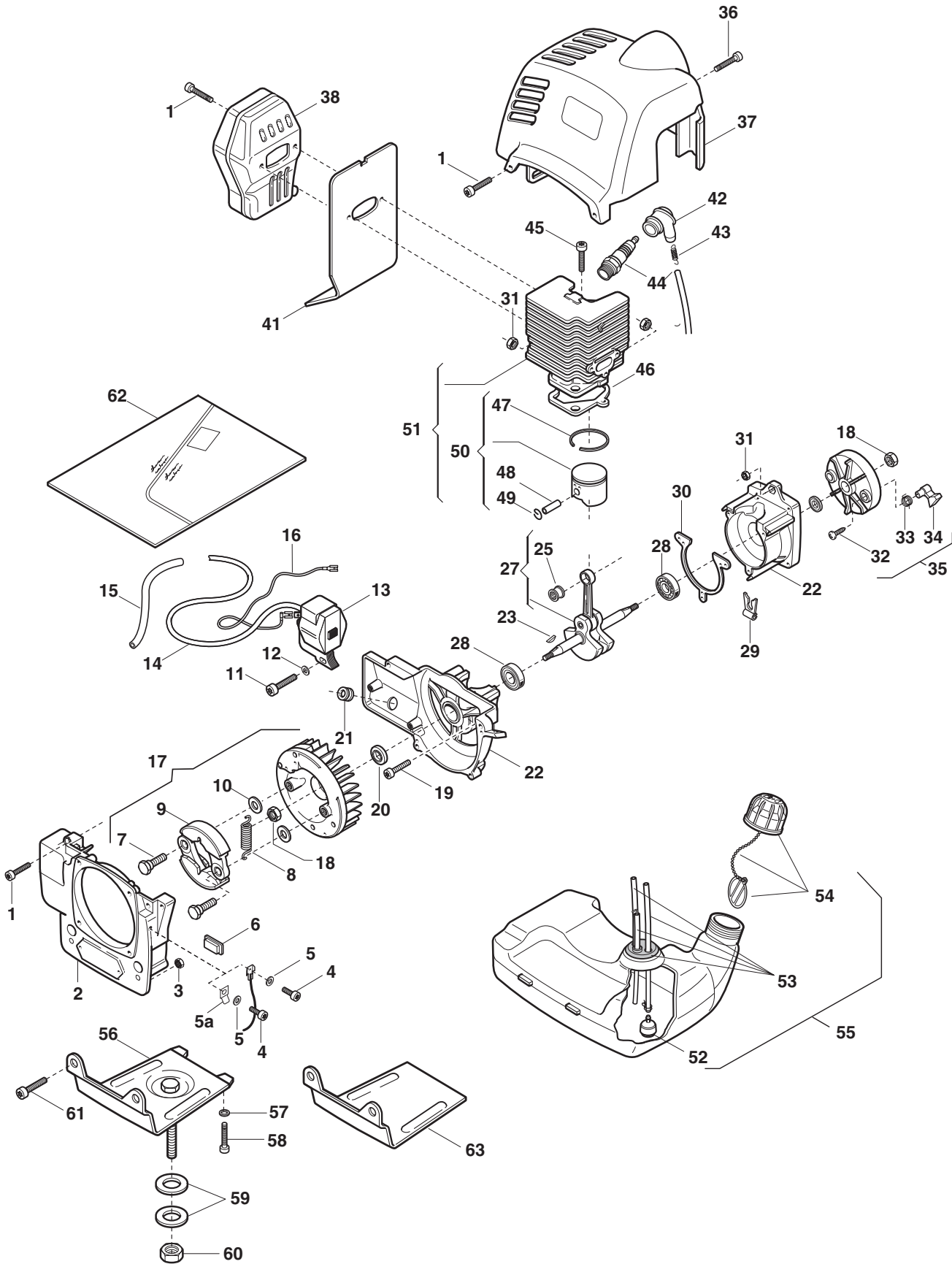
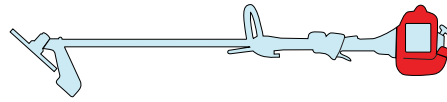
36

36D

41

41D

41F



POS.	CODE	Q.TY	DESCRIZIONE	DESCRIPTION	DESCRIPTION	BESCHREIBUNG	REMARKS
47	3123150	1	SEGMENTO X MOD. Ø 38	PISTON RING X MOD. Ø 38	SEGMENT X MOD. Ø 38	KOLBENRING X MOD. Ø 38	
48	3158260	1	SPINOTTO PISTONE	PISTON PIN	POINTEAU PISTON	KOLBENBOLZEN	
49	3356050	2	FERMO SPINOTTO	CIRCLIP	CIRCLIP	SPERRE BOLZEN	
50	8541120	1	ASS. PISTONE Ø 38 (INCL.26,47-49)	PISTON ASS.Y Ø 38 (INCL.26,47-49)	ENS.PISTON Ø 38 (INCL.26,47-49)	SET KOLBEN Ø 38 (INCL.26,47-49)	
51	8541110	1	ASS. CILINDRO PISTONE Ø 38 (INCL.50)	CYLINDER-PISTON ASS.Y Ø 38 (INCL.50)	ENS.CYLINDRE-PISTON Ø 38 (INCL.50)	SET ZYLINDER-KOLBEN Ø 38 (INCL.50)	
52	4253290	1	PESCANTE MIX	INTAKE FILTER	FILTRE D'ASPIRATION	TAUCHSONDE	
53	8745541	1	ASS. GOMMINO PASSA-TUBI	GROMMET ASS.Y	ENS.RONDELLE CAOUTCHOU	SET GUMMIRINGE	
54	8741370	1	ASS. TAPPO MIX	FUEL CAP ASS.Y	ENS.BOUCHON MÉLANGÉ	DECKEL TREIBSTOFF-TANK	
55	4252470	1	ASS. SERBATOIO MIX (INCL.52-54)	FUEL TANK ASS.Y (INCL.52-54)	ENS.RÉSERVOIR MÉLANGÉ (INCL.52-54)	SET TREIBSTOFFTANK (INCL.52-54)	
56	4122180	1	FLANGIA SUPP. MOTORE FLEX	FLANGE (FLEX)	BRIDE MOTEUR (FLEX)	ANSAUGFLANSCH MOTOR (FLEX)	
57	2330020	2	GROWER	GROWER	RONDELLE GROWER	GROWER	
58	2135010	2	VITE	SCREW	VIS	SCHRAUBE	
59	2330060	2	RONDELLA (FLEX)	WASHER (FLEX)	RONDELLE (FLEX)	UNTERLEGSSCHEIBE (FLEX)	
60	2412180	1	DADO (FLEX)	NUT (FLEX)	ECROU (FLEX)	MUTTERSCHRAUBE (FLEX)	
61	2112310	2	VITE	SCREW	VIS	SCHRAUBE	
62	8724340	1	SERIE GUARNIZIONI (INCL.30,41,46)	GASKET SET (INCL.30,41,46)	SÉRIE JOINTS (INCL.30,41,46)	SET DICHTUNGEN (INCL.30,41,46)	
63	4612587	1	FLANGIA SUPP. MOTORE RIGIDO	FLANGE	BRIDE MOTEUR	ANSAUGFLANSCH MOTOR	

STAR

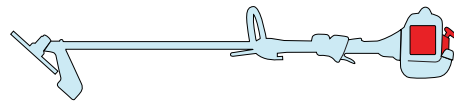
36

36D

41

41D

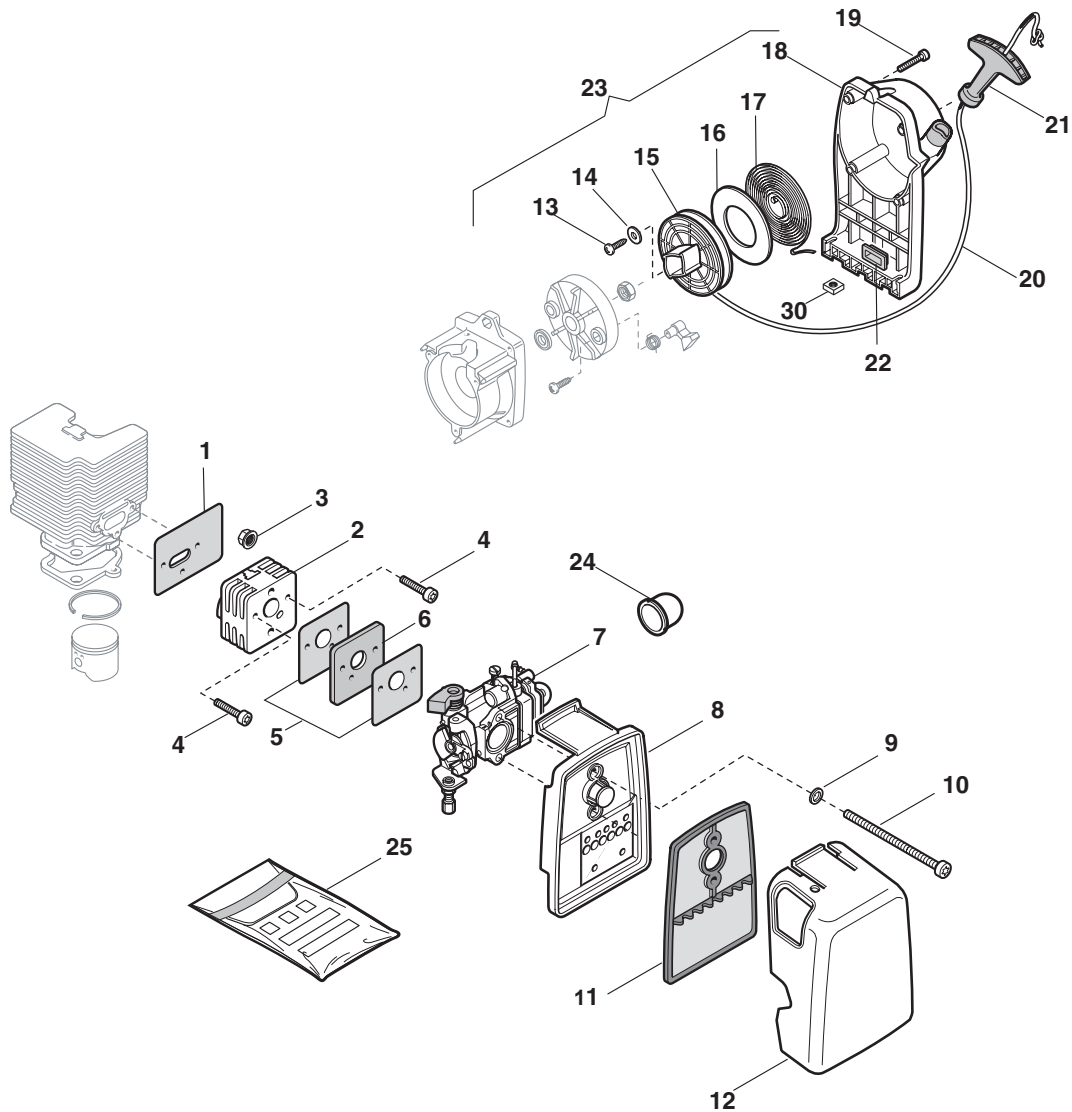
41F



2009

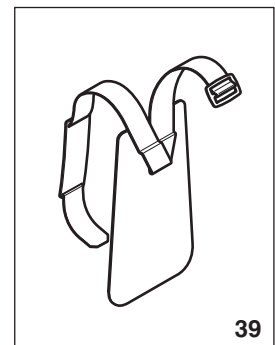
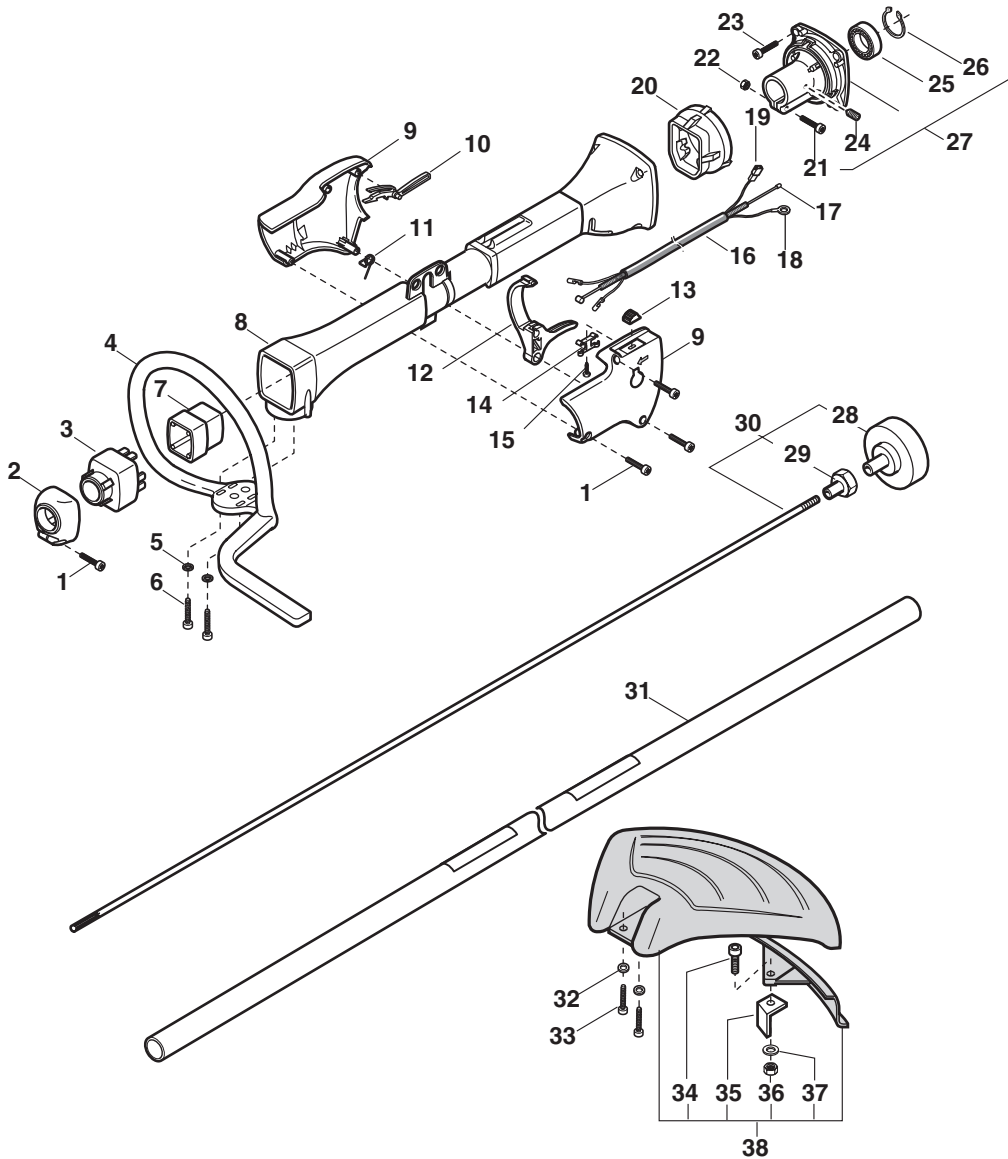
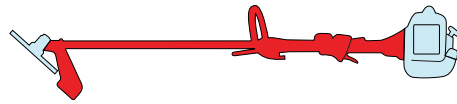
DC015.0

1 / 2



POS.	CODE	Q.TY	DESCRIZIONE	DESCRIPTION	DESCRIPTION	BESCHREIBUNG	REMARKS
1	3724360	1	GUARNIZ.COLLETT-CIL	INTAKE MANIF-GASKET	JOINT COLLECT.-CYL.	DICHT. KOLLEKT.-ZYL.	
2	3750410	1	COLLETTORE ASPIRAZIONE	INTAKE MANIFOLD	COLLECTEUR ASPIRATION	KOLLEKTOR ANSAUGUNG	
3	2670280	2	DADO	NUT	ECROU	MUTTER	
4	2135050	2	VITE	SCREW	VIS	SCHRAUBE	
5	3724400	2	GUARNIZ.COLLETTORE-CARB	INTAKE-CARB GASKET	JOINT COLLECT.-CARB.	DICHT. KOLLEKTOR-VERG.	
6	3785070	1	DISTANZIALE TERMICO	HEAT BLOCK	BLOCAGE THERMIQUE	THERMOISOLIERUNG	
7	4353270/1	1	CARBURATORE	CARBURETTOR	CARBURATEUR	VERGASER	WALBRO WYJ 317A
8	8750390	1	SUPP. FILTRO ARIA GRIGIO	AIR FILTER HOLDER	SUPP. FILTRE À AIR	HALTER LUFTFILTER	
9	2312090	3	ROSETTA	WASHER	RONDELLE	SCHEIBE	
10	2135250	2	VITE	SCREW	VIS	SCHRAUBE	
11	3781600	1	FILTRO ARIA	AIR FILTER	FILTRE À AIR	LUFTFILTER	
12	4563670	1	COPRIFILTRO GIALLO	FILTER COVER YELLOW	COUVRE-FILTRE JAUNE	FILTERABD. GELB	
12	4563673	1	COPRIFILTRO ROSSO	FILTER COVER RED	COUVRE-FILTRE ROUGE	FILTERABD. ROT	

POS.	CODE	Q.TY	DESCRIZIONE	DESCRIPTION	DESCRIPTION	BESCHREIBUNG	REMARKS
12	4563673	1	COPRIFILTRO ROSSO	FILTER COVER RED	COUVRE-FILTRE ROUGE	FILTERABD. ROT	
13	2123100	3	VITE	SCREW	VIS	SCHRAUBE	
14	3613420	1	ROSETTA	WASHER	RONDELLE	SCHEIBE	
15	4562220	1	PULEGGIA AVVIAMENTO	STARTER PULLEY	POULIE DÉMARRAGE	RIEMENSCHIBE STAR- TER	
16	3723640	1	DISCO MOLLA AVV.TO	DISC	DISQUE	SCHEIBE FEDER STAR- TER	
17	4611480	1	MOLLA AVV.TO	SPRING	RESSORT	FEDER	
18	8563650	1	CARTER AVV.TO	STARTER RECOIL CASE	CARTER DÉMARREUR	STARTERGEHÄUSE	
19	2135040	12	VITE	SCREW	VIS	SCHRAUBE	
20	3784030	1	FUNE AVV.TO	STARTER CORD	CÂBLE DÉMARRAGE	SEIL STARTER	
21	3750067	1	IMPUGNATURA AVV.TO	STARTER HANDLE	POIGNÉE DÉMARRAGE	GRIFF STARTER	
22	3745530	4	GOMMINO SUPP. SER- BATOIO	GROMMET	RONDELLE CAOU- TCHOUC	GUMMIRING	
23	4252680	1	ASS. AVVIATORE (INCL. 13-22)	STARTER ASS.Y (INCL. 13-22)	ENS. DÉMARREUR (INCL. 13-22)	SET STARTER (INCL.13-22)	
24	3744870	1	PRIMER	PRIMER	PRIMER	PRIMER	
25	4353150	1	KIT MEMB-GUARNIZ	GASKET-DIAPH.SET	KIT MEMBR.-JOINT	SET MEMB.-DICHT.	
30	2461030	2	DADO	NUT	ECROU	MUTTER	



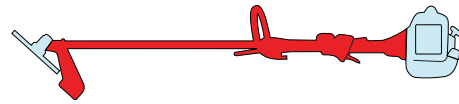
POS.	CODE	Q.TY	DESCRIZIONE	DESCRIPTION	DESCRIPTION	BESCHREIBUNG	REMARKS
1	2123030	4	VITE	SCREW	VIS	SCHRAUBE	
2	3750330	1	SUPPORTO ANTERIORE CARENATURA	FRONT HOUSING SUPPORT	SUPPORT AVANT CARTER	HALTER VORDERGEHÄUSE	
3	3744290	1	GOMMINO ANTIVIBRANTE ANTERIORE	FRONT SHOCK ABSORBER	CAOUTCHOUC ANTIVIBRAT. AVANT	SCHWINGUNGSDÄMPFER	
4	4563560	1	IMPUGNATURA ANTERIORE	FRONT HANDLE	POIGNÉE AVANT	HANDGRIFF VORNE	
5	2312150	2	RONDELLA	WASHER	RONDELLE	UNTERLEGSCHIEBE	
6	2123140	2	VITE	SCREW	VIS	SCHRAUBE	
7	3750340	1	GHIERA RIDUZIONE ANTERIORE	FRONT STEP-DOWN SPACER	BAGUE RÉDUCTION AVANT	VORDERER REDUZIERRING	
8	4563531	1	CARENATURA	TRANSMISSION HOUSING	CARTER TRANSMISSION	GEHÄUSE	
9	8563540	1	COPPIA GUSCI IMPUGNATURA	HANDGRIP HOUSING COUPLE	PAIRE PROTECT. POIGNÉES	PAAR HANDGRIFFHÜLSEN	
10	3743630	1	LEVA SICUREZZA	SAFETY LEVER	LEVIER DE SÉCURITÉ	SICHERHEITSHEBEL	
11	3654490	1	MOLLA LEVA ACCELERATORE	SPRING	RESSORT	FEDER GASHEBEL	

POS.	CODE	Q.TY	DESCRIZIONE	DESCRIPTION	DESCRIPTION	BESCHREIBUNG	REMARKS
12	3743620	1	LEVA ACCELERATORE	THROTTLE LEVER	LEVIER ACCÉLÉRATEUR	GASHEBEL	
13	3749270	1	POMELLO DI STOP	STOP KNOB	BOUTON D'ARRÊT	STOP-SCHALTER	
14	3612710	1	LAMIERINO DI STOP	STOP PLATE	PLAQUE D'ARRÊT	STOP-PLÄTTCHEN	
15	2123070	1	VITE	SCREW	VIS	SCHRAUBE	
16	3786200/1	1	GUAINA PROTEZIONE CAVI	WIRE SHEATH	GAINÉ CÂBLES	KABELMANTEL	
17	4252450	1	CAVO ACCELERATORE	WIRE ASS.Y	CÂBLE ACCÉLÉR.	STARTERKABEL	
18	3211120	1	CAVO MASSA (NERO)	EARTH CABLE (BLACK)	CÂBLE MASSE (NOIR)	ERDUNGSKABEL (SCHWARZ)	
19	3211490	1	CAVO BOBINA-INTERRUTTORE (ROSSO)	COIL-SWITCH CABLE (RED)	CÂBLE BOBINE-INTER. (ROUGE)	SPULENDRAHT-SCHALTER (ROT)	
20	3744300	1	GOMMINO ANTIVIBRANTE POSTERIORE	REAR SHOCK ABSORBER	CAOUTCHOUC ANTI-VIBRAT. ARRIÈRE	SCHWINGUNGSDÄMPFER	
21	2135150	1	VITE	SCREW	VIS	SCHRAUBE	
22	2432030	1	DADO	NUT	ECROU	MUTTER	
23	2135160	4	VITE	SCREW	VIS	SCHRAUBE	
24	2126050	1	VITE	SCREW	VIS	SCHRAUBE	
25	3112170	1	CUSCINETTO	BEARING	ROUL. À BILLES	KUGELLAGER	
26	3353080	1	ANELLO SEEGER	RING	CIRCLIP	RING	
27	3L8520990/3	1	ASS. MOZZO TRASM. Ø26 (INCL. 24-26)	TRANSM. HUB ASS.Y Ø26 (INCL.24-26)	ENS.MOYEU TRASM. Ø26 (INCL. 24-26)	ANTRIEBSNABE Ø26 (INKL.24-26)	
28	4121861/1	1	CAMPANA FRIZIONE	CLUTCH DRUM	CLOCHE EMBRAYAGE	KUPPLUNGSGLOCKE	
29	3642191	1	MOZZO CUSCINETTO	BEARING HUB	MOYEU ROULEMENT	LAGERNABE	
30	4251400	1	ALBERO TRASMISSIONE (INCL.28-29)	TRANSMISSION SHAFT (INCL.28-29)	ARBRE TRANSMISSION (INCL.28-29)	MOTORWELLE (INKL.28-29)	
31	4251204	1	ASS. TUBO TRASMISSIONE Ø26	TRANSMISSION PIPE ASS.Y	ENS.TUBE TRASM.	SET ROHR PULSE	
32	2312150	2	RONDELLA	WASHER	RONDELLE	UNTERLEGSCHIEBE	
33	2135060	2	VITE	SCREW	VIS	SCHRAUBE	
34	2135030	1	VITE	SCREW	VIS	SCHRAUBE	
35	3615000	1	LAMIERINO TAGLIAFILO	LINE CUTTER	COUPE-FIL	DRAHTSCHERENBLECH	
36	2432040	1	DADO	NUT	ECROU	MUTTER	
37	2312150	1	RONDELLA	WASHER	RONDELLE	UNTERLEGSCHIEBE	
38	3L8563570/1	1	ASS. PARASPRUZZI (INCL. 34-37)	SAFETY COVER ASS.Y (INCL.34-37)	ENS. CAPOT ANTI-PROJECTIONS (INCL. 34-37)	SET SPRITZSCHUTZ (INKL.34-37)	
39	4253460	1	BRETELLA	HARNESS	HARNAIS	GURTZEUG	

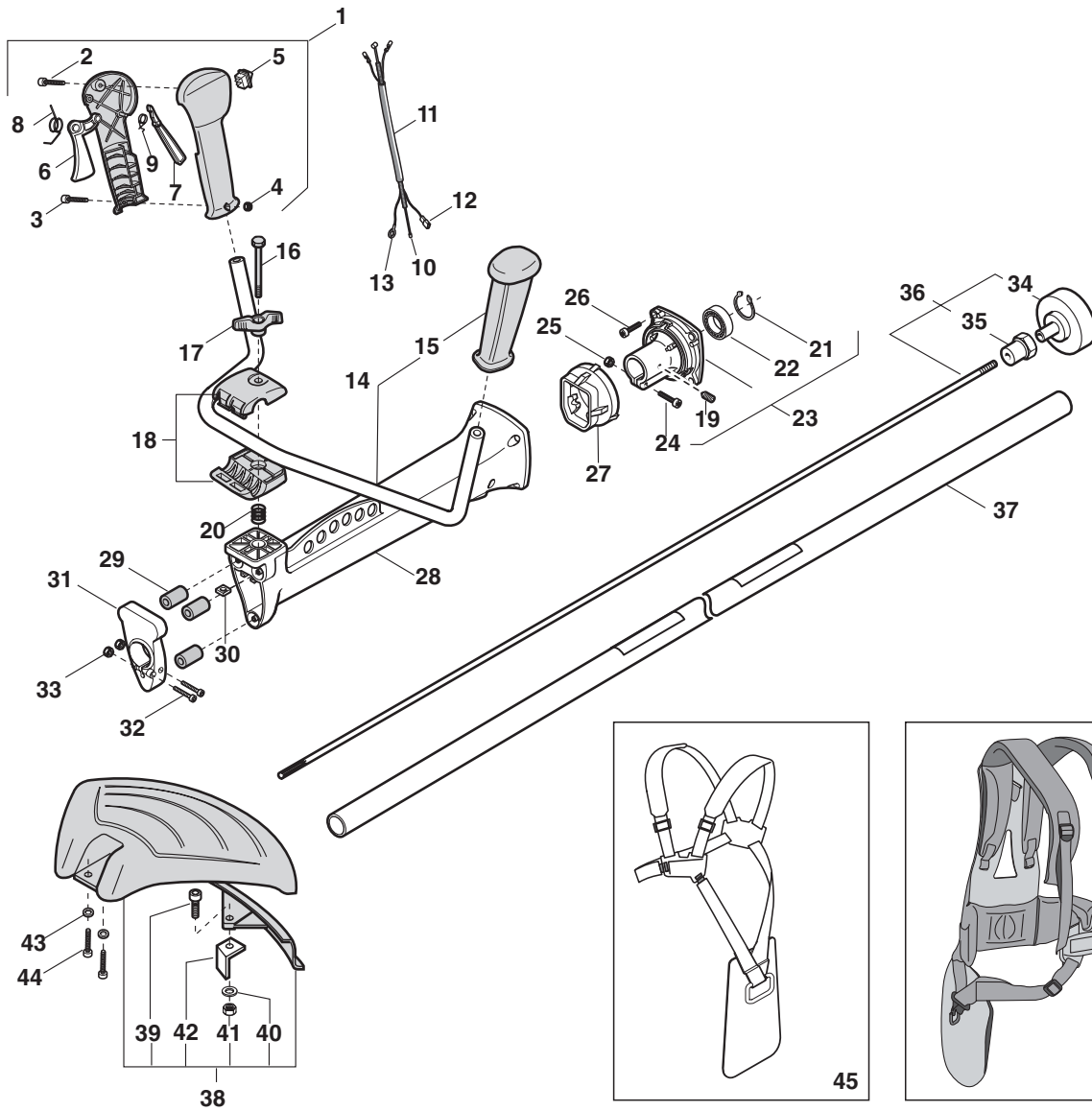
STAR

36D

41D



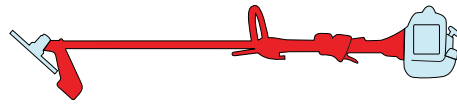
2009
DC015b.0
1 / 2



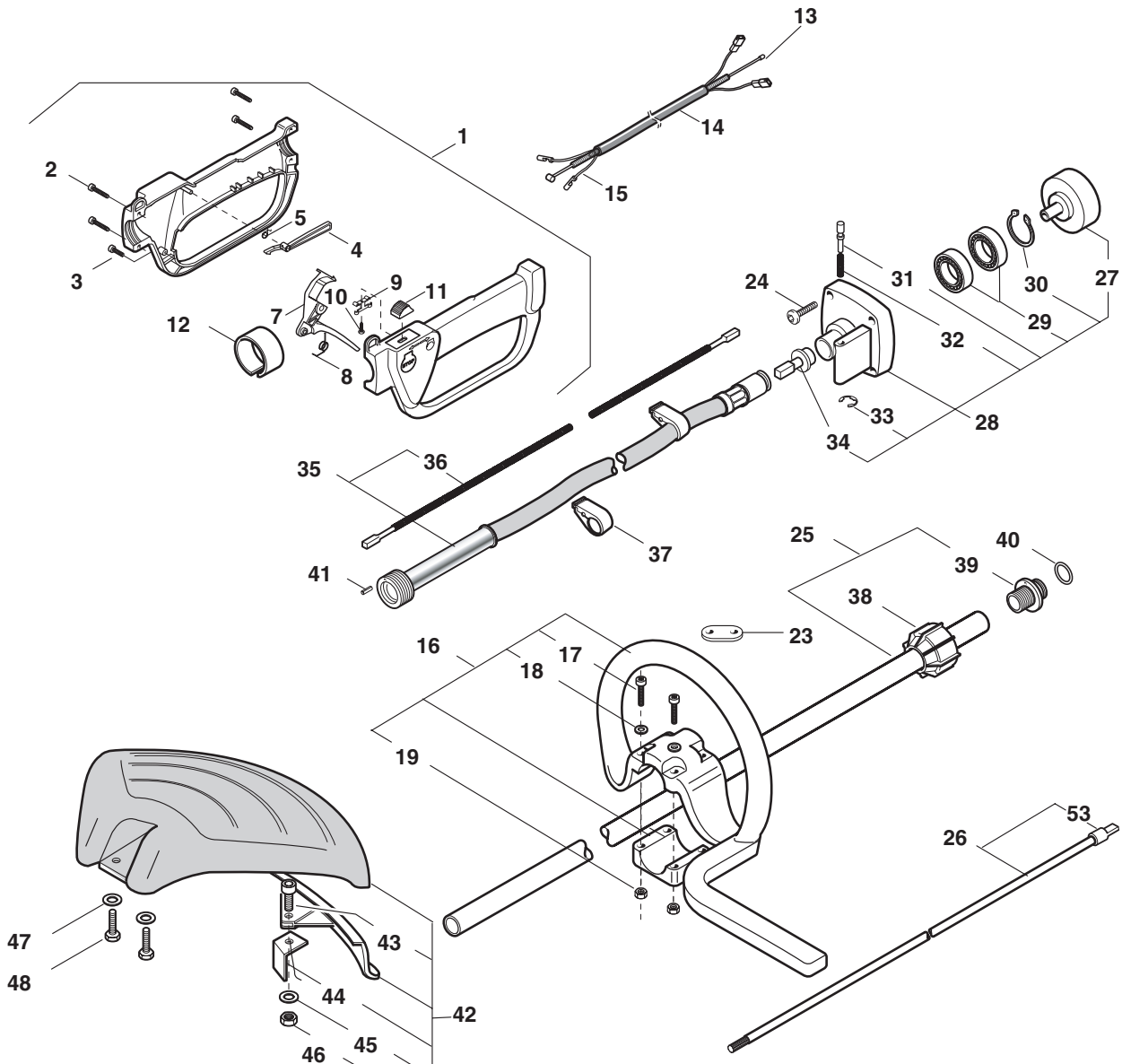
POS.	CODE	Q.TY	DESCRIZIONE	DESCRIPTION	DESCRIPTION	BESCHREIBUNG	REMARKS
1	8563830	1	ASS. IMPUGNATURA (INCL.2-9)	HANDLE ASS.Y (INCL.2-9)	ENS.POIGNÉE (INCL.2-9)	SET HANDGRIFF (INKL.2-9)	
2	2123030	1	VITE	SCREW	VIS	SCHRAUBE	
3	2135050	1	VITE	SCREW	VIS	SCHRAUBE	
4	12154330/0	1	DADO	NUT	ECROU	MUTTER	
5	3210970	1	INTERRUTTORE STOP	STOP SWITCH	INTERRUPTEUR D'ARRÊT	STOP-SCHALTER	
6	3743431/1	1	LEVA ACCELERATORE	THROTTLE LEVER	LEVIER ACCÉLÉRATEUR	GASHEBEL	
7	3743441	1	LEVA DI SICUREZZA	SAFETY LEVER	LEVIER DE SÉCURITÉ	SICHERHEITSHEBEL	
8	3654270/1	1	MOLLA LEVA ACCELERATORE	SPRING	RESSORT	FEDER GASHEBEL	
9	3654280/1	1	MOLLA LEVA DI SICUREZZA	SPRING	RESSORT	FEDER SICHERHEITSHEBEL	
10	4252570	1	CAVO ACCELERATORE	WIRE ASS.Y	CÂBLE ACCÉLÉR.	STARTERKABEL	
11	3786220	1	GUAINA CAVI	WIRE SHEATH	GAINÉ CÂBLES	KABELMANTEL	
12	3211590	1	CAVO BOBINA-INTERRUTTORE (ROSSO)	COIL-SWITCH CABLE (RED)	CÂBLE BOBINE-INTERRUPT. (ROUGE)	SPULENDRAHT-SCHALTER (ROT)	

POS.	CODE	Q.TY	DESCRIZIONE	DESCRIPTION	DESCRIPTION	BESCHREIBUNG	REMARKS
13	3211600/1	1	CAVO MASSA (NERO)	EARTH CABLE (BLACK)	CÂBLE MASSE (NOIR)	ERDUNGSKABEL (SCHWARZ)	
14	4252840/1	1	MANUBRIO C/MANOPO- LA SX.	HANDLE	GUIDON	HANDGRIFF	
15	3744860/1	1	IMPUGNATURA SX	LEFT KNOB	POIGNÉE GAUCHE	HANDGRIFF LINKS	
16	2112580	1	VITE	SCREW	VIS	SCHRAUBE	
17	3750480	1	GALLETTO	WING NUT	ECROU À OREILLES	FLÜGELMUTTER	
18	8521070	1	ASS. SUPPORTO IMPU- GNATURA	HANDGRIP SUPPORT ASS.Y	ENS.SUPPORT POIGNÉE	SET HANDGRIFFHALTER	
19	2126050	1	VITE	SCREW	VIS	SCHRAUBE	
20	3654530	1	MOLLA	SPRING	RESSORT	FEDER	
21	3353080	1	ANELLO SEEGER	RING	CIRCLIP	RING	
22	3112170	1	CUSCINETTO	BEARING	ROUL. À BILLES	KUGELLAGER	
23	3L8520990/3	1	ASS.MOZZO TRASM. Ø 26 (INCL.19,21,22)	TRANSMISSION HUB ASS.Y Ø 26	ENS.MOYEU TRANSM. Ø 26	ANTRIEBSNABE Ø 26	
24	2135150	1	VITE	SCREW	VIS	SCHRAUBE	
25	2432030	1	DADO	NUT	ECROU	MUTTER	
26	2135160	4	VITE	SCREW	VIS	SCHRAUBE	
27	3744330	1	GOMMINO ANTIVIB. POSTERIORE	REAR SHOCK ABSOR- BER	CAOUTCHOUC ANTI- VIBRAT. ARRIÈRE	SCHWINGUNGSDÄMPFER	
28	4563850/2	1	CARENATURA	TRANSMISSION HOU- SING	TRANSMISSION CARÉNÉE	GEHÄUSE	
29	3744320	3	GOMMINO ANTIVIB. ANTERIORE	FRONT SHOCK ABSOR- BER	CAOUTCHOUC ANTI- VIBRAT AVANT	SCHWINGUNGSDÄMPFER	
30	3615190	1	PIASTRINA FISSAGGIO MANUBRIO	HANDLE FIXING PLATE	PLAQUE FIXATION GUIDON	HANDGRIFF-BEFESTI- GUNGSPLÄTTCHEN	
31	4563860	1	SUPP. ANT. CARENATURA Ø 26	FRONT HOUSING SUP- PORT Ø 26	SUPP. AVANT CARÉNÉ Ø 26	VORD. HALTER F. GEHÄU- SE Ø 26	
32	2135060	2	VITE	SCREW	VIS	SCHRAUBE	
33	12154330/0	2	DADO	NUT	ECROU	MUTTER	
34	4121861/1	1	CAMPANA FRIZIONE	CLUTCH	CLOCHE EMBRAYAGE	KUPPLUNGSGLOCKE	
35	3642191	1	MOZZO CUSCINETTO	BEARING HUB	MOYEU ROULEMENT	LAGERNABE	
36	4251400	1	ALBERO TRASMISSIONE (INCL.34,35)	TRANSMISSION SHAFT (INCL.34,35)	ARBRE TRANSMISSION (INCL.34,35)	MOTORWELLE (INCL.34,35)	
37	4251204	1	ASS. TUBO TRASMISS. Ø 26	TRANSMISSION PIPE ASS.Y Ø 26	ENS.TUBE TRANSM. Ø 26	SET ROHR PULSE Ø 26	
38	3L8563570/1	1	ASS. PARASPRUZZI (INCL.39-42)	SAFETY COVER ASS.Y (INCL.39-42)	ENS. CAPOT ANTI- PROJECTIONS (INCL.39- 42)	SET SPRITZSCHUTZ (INCL.39-42)	
39	2135030	1	VITE	SCREW	VIS	SCHRAUBE	
40	2312150	1	ROSETTA	WASHER	RONDELLE	SCHEIBE	
41	2432040	1	DADO	NUT	ECROU	MUTTER	
42	3615000	1	LAMIERINO TAGLIAFILO	LINE CUTTER	COUPE-FIL	DRAHTSCHERENBLECH	
43	2312150	2	ROSETTA	WASHER	RONDELLE	SCHEIBE	
44	2135060	2	VITE	SCREW	VIS	SCHRAUBE	
45	4253440	1	BRETELLA	HARNESS	HARNAIS	GURTZEUG	
46	123046000/0	1	BRETELLA PROFI	HARNESS	HARNAIS	GURTZEUG	

STAR 41F



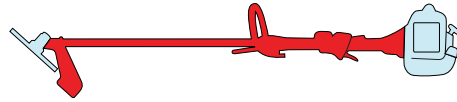
2009
DC015c.0
1 / 2



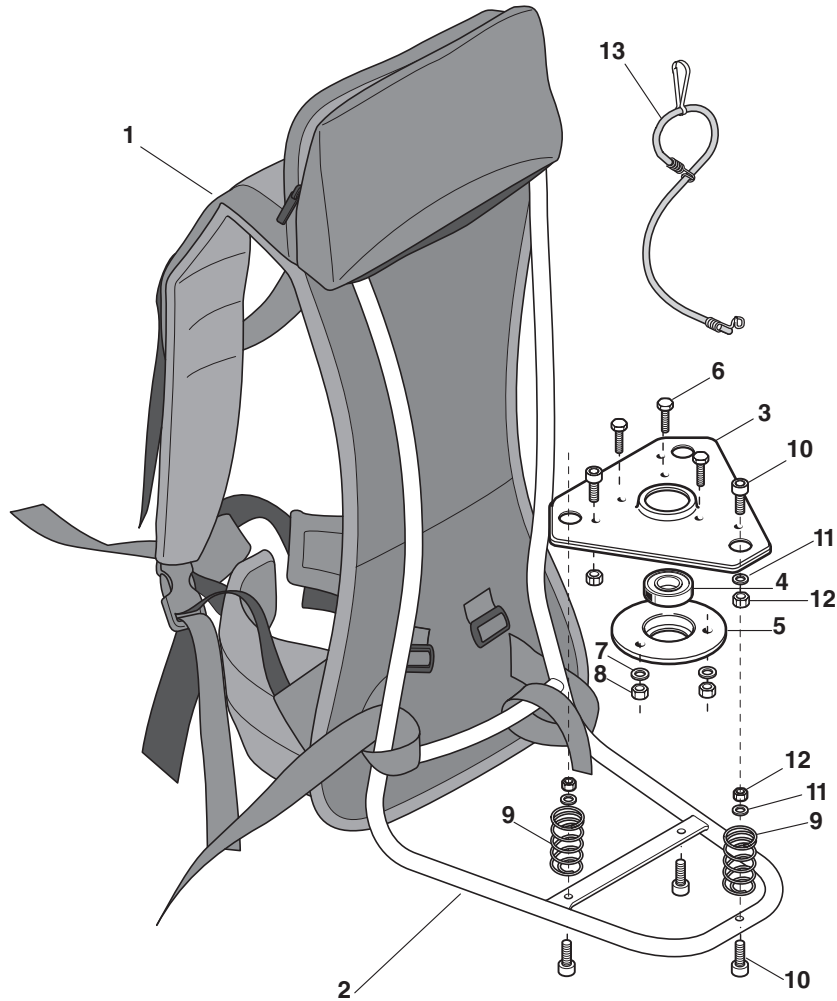
POS.	CODE	Q.TY	DESCRIZIONE	DESCRIPTION	DESCRIPTION	BESCHREIBUNG	REMARKS
1	8562620/1	1	ASS. IMPUGNATURA POST. (INCL.2-12)	HANDLE ASS.Y (INCL.2-12)	ENS.POIGNÉE (INCL.2-12)	SET HANDGRIFF HINTEN (INCL.2-12)	
2	2123030	4	VITE	SCREW	VIS	SCHRAUBE	
3	2123100	2	VITE	SCREW	VIS	SCHRAUBE	
4	3743475	1	LEVA DI SICUREZZA	SAFETY LEVER	LEVIER DE SÉCURITÉ	SICHERHEITSHEBEL	
5	3654300	1	MOLLA LEVA DI SICUREZZA	SPRING	RESSORT	FEDER SICHERHEITSHEBEL	
7	3743465	1	LEVA ACCELERATORE	THROTTLE LEVER	LEVIER ACCÉLÉRATEUR	GASHEBEL	
8	3654270/1	1	MOLLA LEVA ACCELERATORE	SPRING	RESSORT	FEDER GASHEBEL	
9	3612710	1	LAMIERINO DI STOP	STOP PLATE	PLAQUE D'ARRÊT	STOP-PLÄTTCHEN	
10	2123070	1	VITE	SCREW	VIS	SCHRAUBE	
11	3749270	1	POMELLO DI STOP	STOP KNOB	BOUTON D'ARRÊT	STOP-SCHALTER	
12	3750290	2	RIDUZIONE	REDUCTION	RÉDUCTION	REDUZIERSTÜCK	
13	23066004/0	1	CAVO ACCELERATORE	WIRE ASS.Y	CÂBLE ACCÉLÉR.	STARTERKABEL	
14	3782680	1	GUAINA CAVI	WIRE SHEATH	GAINÉ CÂBLES	KABELMANTEL	

POS.	CODE	Q.TY	DESCRIZIONE	DESCRIPTION	DESCRIPTION	BESCHREIBUNG	REMARKS
15	8211390	1	COPPIA CAVI STOP	STOP CABLE COUPLE	PAIRE CÂBLES ARRÊT	KABELPAARSTOP	
16	8563600	1	ASS. IMPUGNATURA ANT. (INCL.17-19)	FRONT HANDLE ASS.Y (INCL.17-19)	ENS.POIGNÉE AVANT (INCL.17-19)	SET HANDGRIFF VORNE (INCL.17-19)	
17	2135050	4	VITE	SCREW	VIS	SCHRAUBE	
18	2312090	4	ROSETTA	WASHER	RONDELLE	SCHEIBE	
19	2412030	4	DADO	NUT	ECROU	MUTTER	
23	3614980	1	ASOLA IMPUGNATURA X CORDA ELASTICA	HANDLE-HOLE FOR ELASTIC CORD	ØILLET POIGNÉE POUR CORDE ÉLASTIQUE	HANDGRIFFÖSE X ELA- STISCHES SEIL	
24	2135160	4	VITE	SCREW	VIS	SCHRAUBE	
25	4252390	1	ASS. TUBO TRASMISSIO- NE (INCL.39)	TRANSM. PIPE ASS.Y (INCL.39)	ENS.TUBE TRANSM. (INCL.39)	SET ROHR PULSE (INCL.39)	
26	8630150	1	ASS.ALBERO TRASMIS- SIONE (INCL.53)	TRANSM.SHAFT ASS.Y (INCL.53)	ENS.ARBRE TRANSM. (INCL.53)	SET MOTORWELLE (INCL.53)	
27	4121861/1	1	CAMPANA FRIZIONE	CLUTCH DRUM	CLOCHE EMBRAYAGE	KUPPLUNGSGLOCKE	
28	8540910	1	ASS.SUPPORTO TRA- SMISSIONE (INCL.27,29- 34)	SUPPORT TRANSM. (INCL.27,29-34)	SUPP. TRANSM. (INCL.27,29-34)	GETRIEBEPLATTFORM (INCL.27,29-34)	
29	3112170	2	CUSCINETTO	BEARING	ROUL. À BILLES	KUGELLAGER	
30	3353080	1	ANELLO SEEGER	RING	CIRCLIP	RING	
31	3642420	1	PERNO	PIN	TOURILLON	STIFT	
32	3654170	1	MOLLA	SPRING	RESSORT	FEDER	
33	3351050	1	FERMO	RETAINER	BUTOIR	SPERRUNG	
34	3642430	1	MOZZO	HUB	MOYEU	NABE	
35	4122110/1	1	ASS.ALBERO FLEX C/ GUAINA J (INCL.36)	FLEX SHAFT ASS.Y J (INCL.36)	ENS.ARBRE FLEX J (INCL.36)	FLEX WELLENEINHEIT J (INCL.36)	
36	4253990/1	1	ALBERO FLESSIBILE J	FLEXIBLE SHAFT J	ARBRE FLEXIBLE J	BIEGSAME WELLE J	
37	3749310	2	FASCETTA FERMACAVI	CLIP	COLLIER	KABELKLEMME	
38	3750270	1	GHIERA FISSAGGIO IMPUGNATURA	PLATE FOR HANDLE FIXING	VIROLE FIXATION POI- GNÉE	RING GRIFFBEFESTI- GUNG	
39	3643220	1	MANICOTTO FILETTATO X FLEX Ø28	FLEX THREADED COU- PLING Ø28	MANCHON FILETÉ POUR FLEX Ø28	FLEX GEWINDEMUFFE Ø28	
40	3721540	1	ANELLO OR	OR RING	JOINT OR	OR-DICHTUNG	
41	3314040	1	SPINA DI CENTRAGGIO	CENTRING PIN	GOUPILLE DE CENTRA- GE	ZENTRIERSTIFT	
42	3L8563570/1	1	ASS.PARASPRUZZI (INCL.43-46)	SAFETY COVER ASS.Y (INCL.43-46)	ENS. CAPOT ANTI- PROJECTIONS (INCL.43- 46)	SPRITZSCHUTZ (INCL.43- 46)	
43	2135030	1	VITE	SCREW	VIS	SCHRAUBE	
44	3615000	1	LAMIERINO TAGLIAFILO	LINE CUTTER	COUPE-FIL	DRAHTSCHERENBLECH	
45	2312150	1	ROSETTA	WASHER	RONDELLE	SCHEIBE	
46	2432040	1	DADO	NUT	ECROU	MUTTER	
47	2312150	2	ROSETTA	WASHER	RONDELLE	SCHEIBE	
48	2135060	2	VITE	SCREW	VIS	SCHRAUBE	
53	3642290	1	RACCORDO INNESTO FLEX Ø28	FLEX JOINT Ø28	RACCORD FLEX Ø28	DEHNBARER ANSCHLUSS Ø28	

STAR 41F



2009
DC015d.0
1 / 1



POS.	CODE	Q.TY	DESCRIZIONE	DESCRIPTION	DESCRIPTION	BESCHREIBUNG	REMARKS
1	123046003/0	1	BRETELLA	HARNESS	HARNAIS	GURTZEUG	
2	383801101/0	1	ASS. TELAIO ZAINO	KNAP SACK FRAME ASS.Y	STRUCT. SAC À DOS	RAHMEN RUCKSACK	
3	4612280	1	PIASTRA SUPPORTO MOTORE	ENGINE SUPPORT	SUPPORT MOTEUR	MOTORSTÜTZPLATTE	
4	3112170	1	CUSCINETTO	BEARING	ROUL. À BILLES	KUGELLAGER	
5	4612020	1	FLANGIA CUSCINETTO	BEARING FLANGE	BRIDE ROULEMENT	LAGERFLANSCH	
6	2112260	3	VITE	SCREW	VIS	SCHRAUBE	
7	2312090	3	ROSETTA	WASHER	RONDELLE	SCHEIBE	
8	2432040	3	DADO	NUT	ECROU	MUTTER	
9	3654360	3	MOLLA ANTIVIB.ZAINO	SPRING	RESSORT	FEDER	
10	2132110	6	VITE	SCREW	VIS	SCHRAUBE	
11	2312130	6	ROSETTA	WASHER	RONDELLE	SCHEIBE	
12	2432030	6	DADO	NUT	ECROU	MUTTER	
13	4252430	1	CORDA ELASTICA	ELASTIC CORD	CORDE ÉLASTIQUE	ELASTISCHES SEIL	

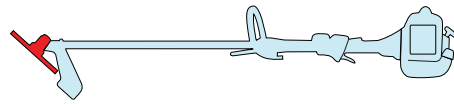
STAR

36

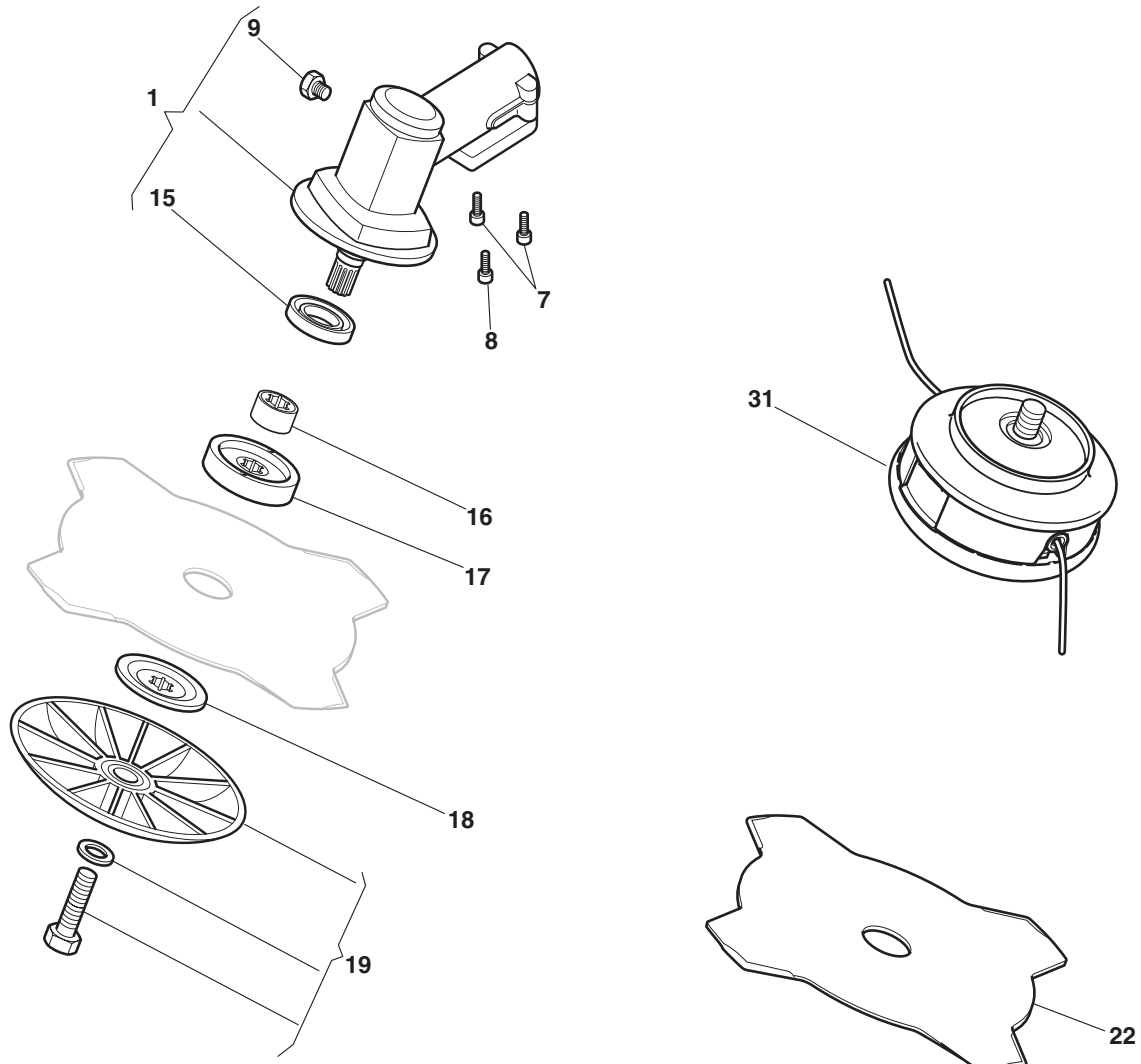
36D

41

41D

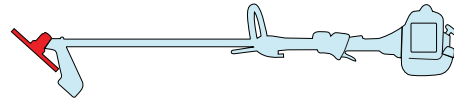


2009
DC015e.0
1 / 1

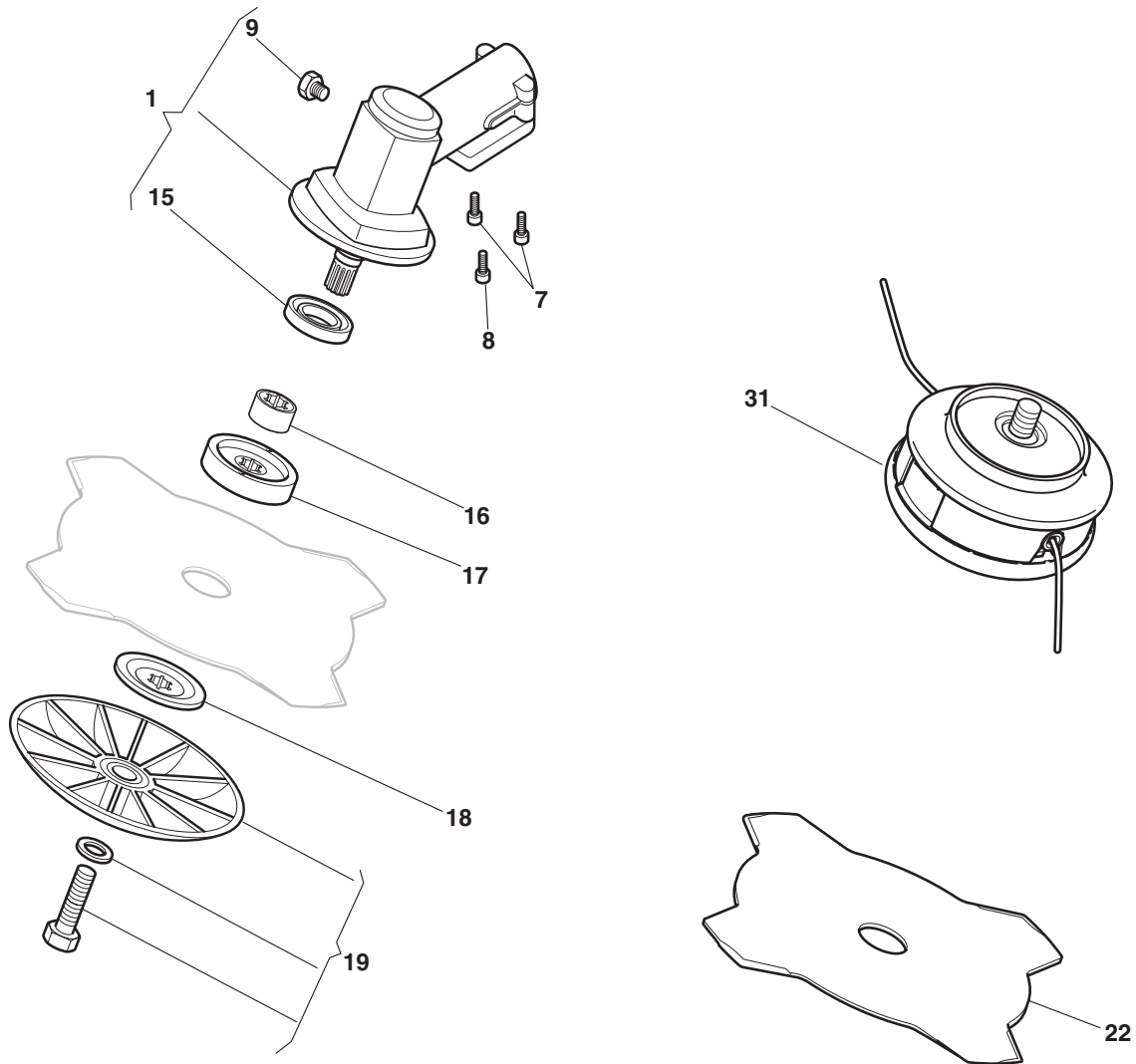


POS.	CODE	Q.TY	DESCRIZIONE	DESCRIPTION	DESCRIPTION	BESCHREIBUNG	REMARKS
1	4252780/1	1	ASS.TESTINA INGRANAG- GI Ø26MM	GEAR CASE ASSY Ø26MM	ENS.BOÎTE ENGREN. Ø26MM	SET ZAHNRADGETRIEBE Ø26MM	
7	2135050	2	VITE	SCREW	VIS	SCHRAUBE	
8	2653090	1	VITE	SCREW	VIS	SCHRAUBE	
9	2653460	1	VITE	SCREW	VIS	SCHRAUBE	
15	3121170	1	ANELLO DI TENUTA	SEAL RING	ANNEAU DE TENUE	DICHTRING	
16	3641700/1	1	COLLARE	COLLAR	COLLIER	STELLRING	
17	3641640	1	GHIERA SUPERIORE	UPPER RING NUT	BAGUE SUPÉRIEURE	OBERER RINGBOLZEN	
18	3612640	1	GHIERA INFERIORE	LOWER RING NUT	BAGUE INFÉRIEURE	UNTERER RINGBOLZEN	
19	4560610	1	COPPA FISSA	STABILIZER	STABILISATEUR	STABILISATOR	
20	2321230	1	ROSETTA	WASHER	RONDELLE	SCHEIBE	
21	2653170	1	VITE	SCREW	VIS	SCHRAUBE	
22	4611880	1	DISCO 4 PUNTE 25 CM	4 TEETH DISC 25 CM	LAME À 4 DENTS 25 CM	SCHEIBE / 4 ZÄHNE 25 CM	
31	4353240/1	1	TESTINA 2 FILI TAP & GO	2 HEDGES NYLON HEAD	TÊTE À 2 FILS NYLON	2 DRAHTSCHEIBE	

STAR 41 F



2009
DC015f.0
1 / 1



POS.	CODE	Q.TY	DESCRIZIONE	DESCRIPTION	DESCRIPTION	BESCHREIBUNG	REMARKS
1	4252790/1	1	ASS.TESTINA Ø28MM	GEAR CASE ASSY Ø28	ENS.BOÎTE ENGREN. Ø28	SET ZAHNRADGETRIEBE Ø28	
7	2135050	2	VITE	SCREW	VIS	SCHRAUBE	
8	2653090	1	VITE	SCREW	VIS	SCHRAUBE	
9	2653460	1	VITE	SCREW	VIS	SCHRAUBE	
15	3121170	1	ANELLO DI TENUTA	SEAL RING	ANNEAU DE TENUE	DICHTRING	
16	3641700/1	1	COLLARE	COLLAR	COLLIER	STELLRING	
17	3641640	1	GHIERA SUPERIORE	UPPER RING NUT	BAGUE SUPÉRIEURE	OBERER RINGBOLZEN	
18	3612640	1	GHIERA INFERIORE	LOWER RING NUT	BAGUE INFÉRIEURE	UNTERER RINGBOLZEN	
19	4560610	1	COPPA FISSA	STABILIZER	STABILISATEUR	STABILISATOR	
20	2321230	1	ROSETTA	WASHER	RONDELLE	SCHEIBE	
21	2653170	1	VITE	SCREW	VIS	SCHRAUBE	
22	4611880	1	DISCO 4 PUNTE 25 CM	4 TEETH DISC 25 CM	LAME À 4 DENTS 25 CM	SCHEIBE / 4 ZÄHNE 25 CM	
31	4353240/1	1	TESTINA 2 FILI TAP & GO	2 HEDGES NYLON HEAD	TÊTE À 2 FILS NYLON	2 DRAHTSCHEIBE	

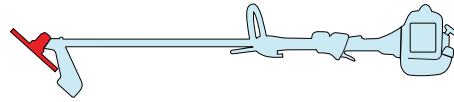
STAR

36

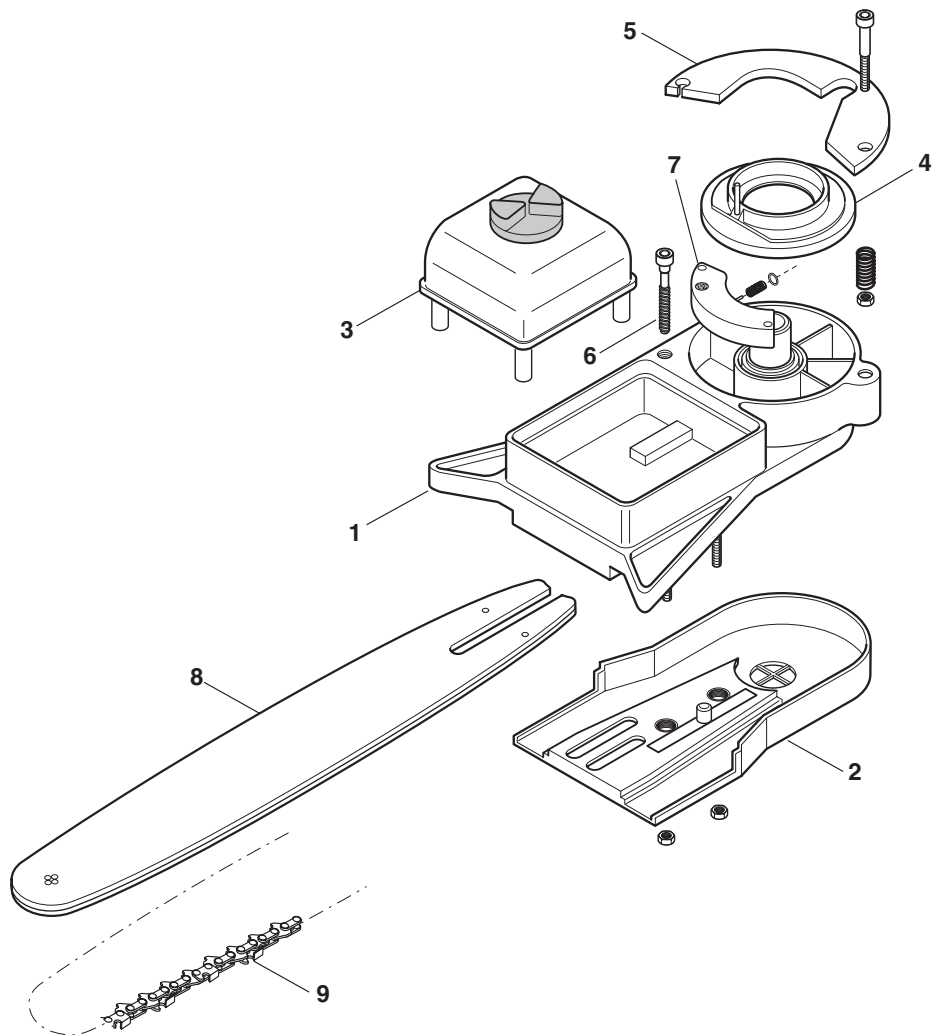
36D

41

41D



2009
DC015g.0
1 / 1



POS.	CODE	Q.TY	DESCRIZIONE	DESCRIPTION	DESCRIPTION	BESCHREIBUNG	REMARKS
1	6910501	1	ASS. CARTER TRASMISSIONE Ø26	TRANSMISSION CASE ASS.Y Ø26	ENS.CARTER TRANSMISSION Ø26	ANTRIEBSGEH. Ø26	
2	6910502	1	CARTER CATENA	CHAIN HOUSING	CARTER CHAÎNE	KETTENGHÄUSE	
3	6910503	1	SERBATOIO OLIO	OIL TANK	RÉSERVOIR HUILE	ÖLTANK	
4	6910505	1	COPERCHIO Ø26	COVER Ø26	COUVERCLE Ø26	ABDECKUNG Ø26	
5	6910506	1	FLANGIA	FLANGE	BRIDE	FLANSCH	
6	6910507	1	VITE	SCREW	VIS	SCHRAUBE	
7	6910508	1	ASS. POMPA OLIO	OIL PUMP ASS.Y	POMPE À HUILE	SET ÖLPUMPE	
8	4112610	1	BARRA GUIDA 10"	GUIDE BAR 10"	GUIDE-CHAÎNE 10"	KETTENSTEG 10"	10" 3/8" .042" (1.1 MM)
9	4113551	1	CATENA 10"	CHAIN 10"	CHAÎNE 10"	KETTE 10"	10" 3/8" .042" (1.1 MM) - 38E

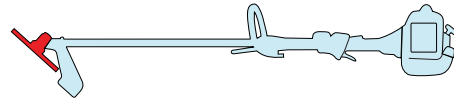
STAR

36

36D

41

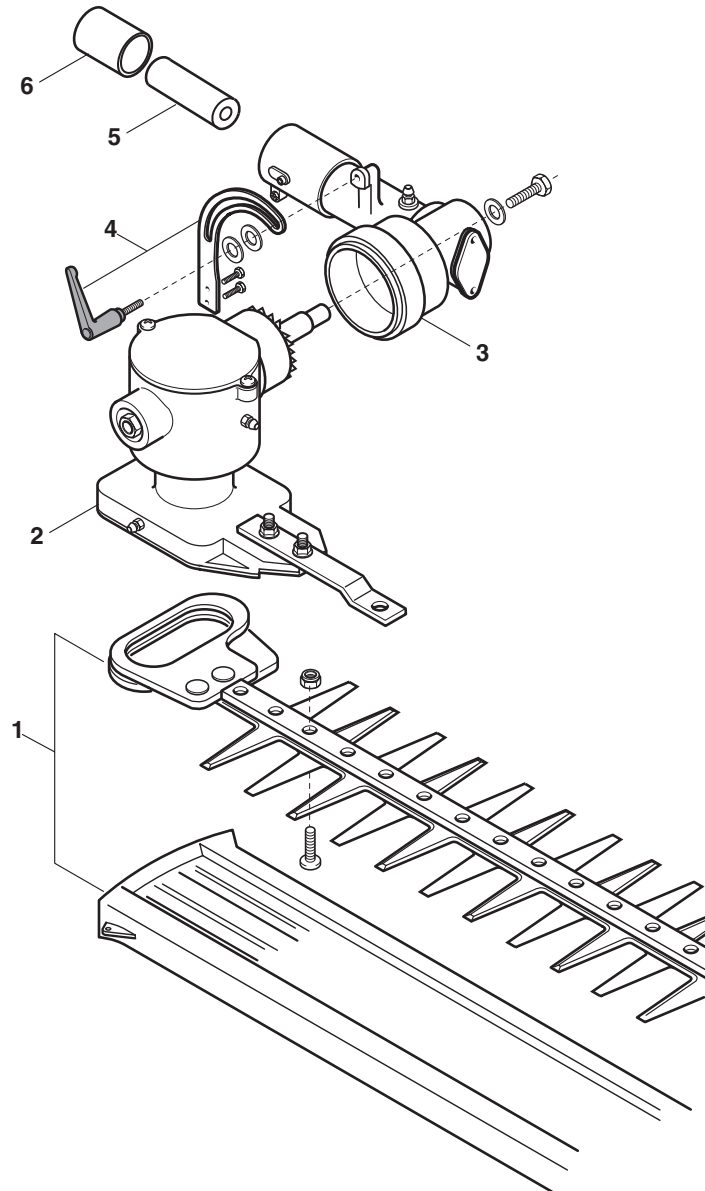
41D



2009

DC015h.0

1 / 1



POS.	CODE	Q.TY	DESCRIZIONE	DESCRIPTION	DESCRIPTION	BESCHREIBUNG	REMARKS
1	6910520	1	ASS. LAME	BLADE ASS.Y	ENS.LAME	KLINGEN	
2	6910521	1	ASS. CARTER TRASMISSIONE	TRANSMISSION SHAFT ASS.Y	ENS.CARTER TRANSMISSION	ANTRIEBSGEH.	
3	6910524	1	ASS. TESTINA	GEAR CASE ASS.Y	ENS.BOÎTE ENGRENAGE	ANTRIEBSGEHÄUSE	
4	6910523	1	LEVA+STAFFA DI REGOLAZIONE	LEVER+REGULATION ROD	LEVIER+BARRE DE RÉGLAGE	HEBEL+REGELUNGSBÜGEL	
5	4252640	1	MANICOTTO	COUPLING	MANCHON	MUFFE	
6	2382430	1	DISTANZIALE	SPACER	ENTRETOISE	ENTFERNUNGSSTÜCK	