




Genuine Spare Parts



- Use GLOBAL GARDEN PRODUCT Genuine Spare Parts specified in the parts list for repair and/or replacement.
- GLOBAL GARDEN PRODUCT does not warrant the machines which have been damaged by the use of any parts other than those specified by the company.
- The contents described in the parts list may change due to improvement.
- The parts for the machine shall be supplied within 10 years after the machine is discontinued. (It's possible some specific parts may be subject to change of their delivery term and list price within the limit of 10 years after the machine is discontinued, and it is also possible which some parts may be available even after the limit of 10 years).

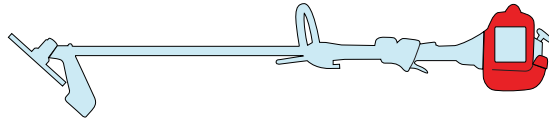
COPYRIGHT by GLOBAL GARDEN PRODUCTS

All rights reserved. No part of this material may be reproduced or transmitted, in any form or by any means, electronic or mechanical, including photocopying, recording or by any information storage and retrieval system, without permission in writing from GLOBAL GARDEN PRODUCTS.



STAR

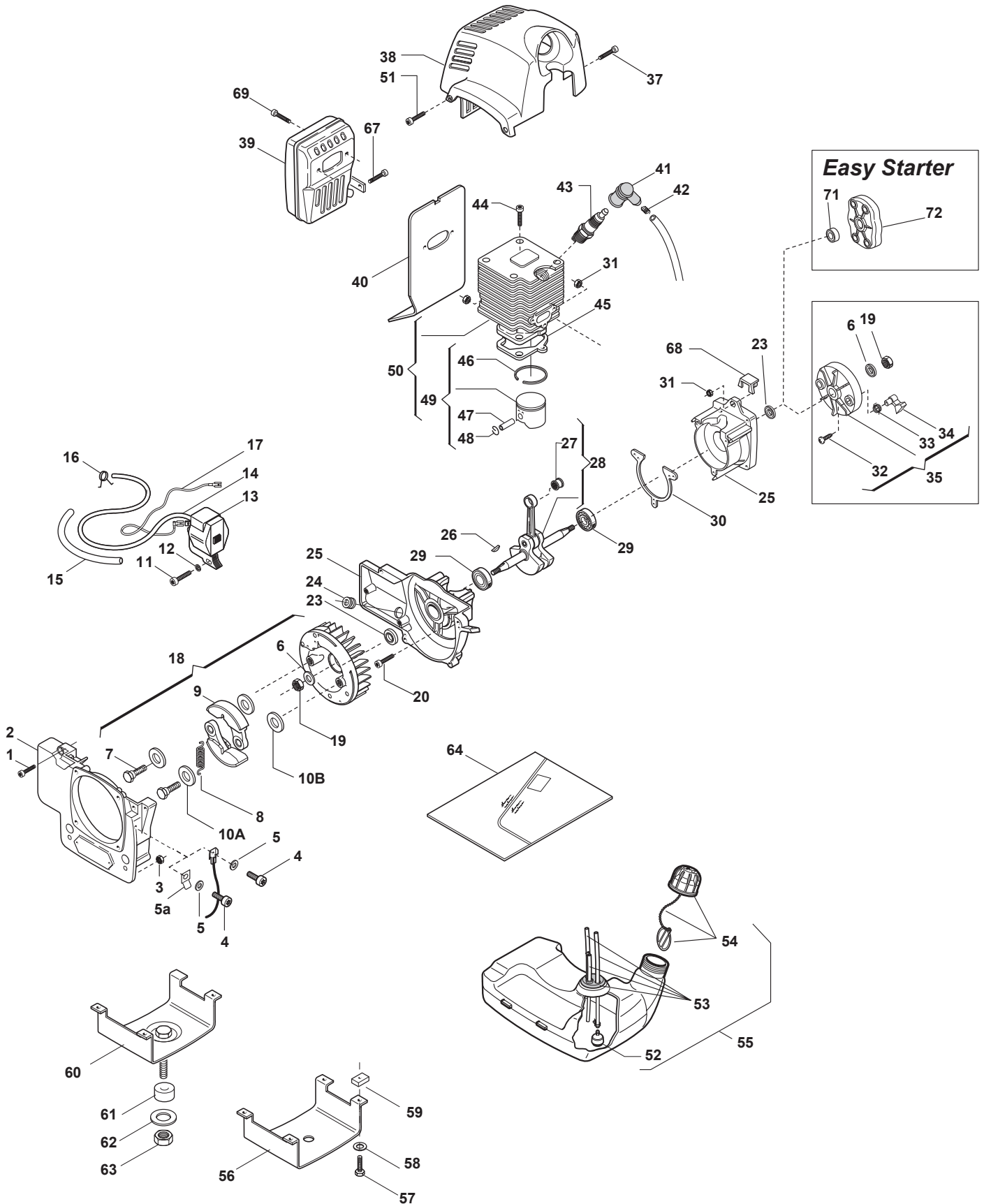
45P 45DP 45FP 55P 55DP 55FP



2007

261.0

1 / 4



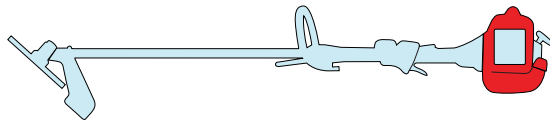


N.	CODE	Q.TY	DESCRIZIONE	DESCRIPTION	DESCRIPTION	BESCHREIBUNG	REMARKS
1	23878016/0	4	VITE	SCREW	VIS	SCHRAUBE	
2	4540940	1	CARTER SUPP. TRASMISSIONE	TRANSM.SUPPORT CASE	CARTER SUPP. TRANSM.	GEHÄUSE GETRIEBE-PLATTFORM	
3	2461030	4	DADO	NUT	ECROU	MUTTER	
4	2132500	1	VITE	SCREW	VIS	SCHRAUBE	
5	2312120	1	RONDELLA	WASHER	RONDELLE	UNTERLEGSCHIEBE	
5a	3211420	1	FASTON (FLEX)	FASTON (FLEX)	FASTON (FLEX)	ERDUNGSSSTECKER (FLEX)	
6	2350040	2	ROSETTA	WASHER	RONDELLE	SCHEIBE	
7	2653213	2	VITE	SCREW	VIS	SCHRAUBE	
8	3654040	1	MOLLA FRIZIONE MOD. ASS.PISTONE Ø 42	SPRING MOD.PISTON ASS.Y Ø 42	RESSORT X MOD.ENS. PISTON Ø 42	KUPPLUNGSFEDER X MOD. KOLBENSET Ø 42	
8	3654220	1	MOLLA FRIZIONE MOD. ASS.PISTONE Ø 45	SPRING MOD.PISTON ASS.Y Ø 45	RESSORT X MOD.ENS. PISTON Ø 45	KUPPLUNGSFEDER X MOD. KOLBENSET Ø 45	
9	3660430/1	2	MASSA FRIZIONE MOD. ASS.PISTONE Ø 42	CLUTCH UNIT MOD. PISTON ASS.Y Ø 42	EMBAYAGE X MOD.ENS. PISTON Ø 42	REIBUNGSMASSE X MOD. KOLBENSET Ø 42	
9	3660500/1	2	MASSA FRIZIONE MOD. ASS.PISTONE Ø 45	CLUTCH UNIT MOD. PISTON ASS.Y Ø 45	EMBAYAGE X MOD.ENS. PISTON Ø 45	REIBUNGSMASSE X MOD. KOLBENSET Ø 45	
10a	23652501/0	2	ROSETTA	WASHER	RONDELLE	SCHEIBE	
10b	2321230	2	ROSETTA	WASHER	RONDELLE	SCHEIBE	
11	2135060	2	VITE	SCREW	VIS	SCHRAUBE	
12	2321150	2	ROSETTA	WASHER	RONDELLE	SCHEIBE	
13	23044001/0	1	BOBINA ELETTRONICA	ELECTRONIC COIL	BOBINE ÉLECTRONIQUE	ELEKTRONIKSPULE	
14	3211080	1	FILO BOBINA	SPARK PLUG CABLE	FIL BOBINE	DRAHT ZÜNDKERZE	
15	3782040	1	GUAINA CAVO CANDELA	WIRE JAKET	GAINE CÂBLE	KABELMANTEL GASHEBEL	
16	3657450	1	FASCETTA CAVO CANDELA	CLAMP	COLLIER	ZÜNDKERZENKABEL	
17	3211415	1	CAVO MASSA	EARTH CABLE	CÂBLE MASSE	ERDUNGSKABEL	
18	8252500/1	1	ASS.VOLANO-MASSE MOD. PIST. Ø 42 (INCL.7-10)	FLYWHEEL ASS.Y X MOD. PISTON Ø 42 (INCL.7-10)	ENS.VOLANT X MOD.ENS. PISTON Ø 42 (INCL.7-10)	SET SCHWUNGRAD MAGNET X MOD. KOLBENSET Ø 42 (INCL.7-10)	
18	8252510/1	1	ASS.VOLANO-MASSE MOD. PIST. Ø 45 (INCL.7-10)	FLYWHEEL ASS.Y X MOD. PISTON Ø 45 (INCL.7-10)	ENS.VOLANT X MOD.ENS. PISTON Ø 45 (INCL.7-10)	SET SCHWUNGRAD MAGNET X MOD. KOLBENSET Ø 45 (INCL.7-10)	
19	2412100	2	DADO	NUT	ECROU	MUTTER	
20	2135130	4	VITE	SCREW	VIS	SCHRAUBE	
23	3121120	2	ANELLO DI TENUTA	SEAL RING	ANNEAU DE TENUE	DICHTRING	
24	3745130	1	GOMMINO PASSACAVO	GROMMET	RONDELLE CAOUT-CHOUC	LIPPKLAMPE	
25	8540930	1	COPPIA CARTER MOTORE	CRANKASE ASS.Y	ENS. CARTER MOTEUR	PAAR MOTORABDECKUNG	
26	3151050	1	LINGUETTA VOLANO	FLYWHEEL KEY	CLAVETTE VOLANT	LASCHE SCHWUNGRAD	
27	3114190	1	GABBIA A RULLI	NEEDLE BEARING	ROUL. À AIGUILLES	WALZENKÄFIG	
28	8251440	1	ASS.ALBERO MOTORE) (INCL.27)	CRANCKSHAFT ASS.Y (INCL.27)	ENS.ARBRE MOTEUR (INCL.27)	SET MOTORWELLE (INCL.27)	
29	3112040	2	CUSCINETTO	BEARING	ROUL. À BILLES	KUGELLAGER	
30	3724120	1	GUARNIZIONE CARTERS	GASKET	JOINT	DICHTUNG ABDECKUNG	
31	2432040	5	DADO	NUT	ECROU	MUTTER	
32	2123100	2	VITE	SCREW	VIS	SCHRAUBE	
33	3654050	2	MOLLA AGGANCIAMENTO	SPRING	RESSORT	FEDER SPERRUNG	
34	3749570	2	AGGANCIAMENTO AVVIAMENTO	STARTER HOOK	FIXATION DÉMARREUR	SPERRE STARTER	
35	8540950	1	ASS.COPPA AVVIAMENTO (INCL.32-34)	STARTER CUP ASS.Y (INCL.32-34)	ENS.COUPÉ DÉMARREUR (INCL.32-34)	SCHWUNGRAD MAGNET (INCL.32-34)	
37	2135030	3	VITE	SCREW	VIS	SCHRAUBE	
38	4563880	1	CUFFIA COPRICILINDRO GIALLA	YELLOW CYLINDER COVER	COUVERCLE CYLINDRE JAUNE	MOTORABDECKUNG GELB	
38	4563883	1	CUFFIA COPRICILINDRO ROSSO	RED CYLINDER COVER	COUVERCLE CYLINDRE ROUGE	MOTORABDECKUNG ROT	
39	4122170/1	1	SILENZIATORE	MUFFLER	SILENCIEUX	SCHALLDÄMPFER	
40	3724380	1	GUARNIZIONE SILENZIATORE	GASKET	JOINT SILENCIEUX	DICHTUNG SCHALLDÄMPFER	
41	3744850	1	CAPPUCCIO CANDELA	SPARK PLUG COVER	CAPUCHON BOUGIE	ZÜNDKERZENKAPPE	
42	3657530	1	TERMINALE FILO CANDELA	SPARK PLUG SPRING	BORNE FIL BOUGIE	DRAHTENDE ZÜNDKERZE	
43	3210024	1	CANDELA	SPARK PLUG	BOUGIE	ZÜNDKERZE	
44	2135060	4	VITE	SCREW	VIS	SCHRAUBE	
45	3724130	1	GUARNIZIONE CILINDRO	CYLINDER GASKET	JOINT CYLINDRE	ZYLINDERDICHTUNG	
46	3123200	1	FASCIA ELASTICA Ø 42	PISTON RING Ø 42	COLLIER ÉLASTIQUE Ø 42	KOLBENRING Ø 42	Star 45
46	3123110	1	FASCIA ELASTICA Ø 45	PISTON RING Ø 45	COLLIER ÉLASTIQUE Ø 45	KOLBENRING Ø 45	Star 55
47	3158010	1	SPINOTTO PISTONE Ø 42	PISTON PIN Ø 42	POINTEAU PISTONX ENS. PISTON Ø 42	KOLBENBOLZEN X MOD. KOLBENSET Ø 42	Star 45
47	3158080	1	SPINOTTO PISTONE Ø 45	PISTON PIN Ø 45	POINTEAU PISTONX ENS. PISTON Ø 45	KOLBENBOLZEN X MOD. KOLBENSET Ø 45	Star 55
48	3356020	2	FERMO SPINOTTO	CIRCLIP	CIRCLIP	SPERRE BOLZEN	
49	8540860	1	ASS.PISTONE Ø 42 (INCL.46-48)	PISTON ASS.Y Ø 42 (INCL.46-48)	ENS.PISTON Ø 42 (INCL.46-48)	KOLBENSET Ø 42 (INCL.46-48)	Star 45
49	8540960	1	ASS.PISTONE Ø 45 (INCL.46-48)	PISTON ASS.Y Ø 45 (INCL.46-48)	ENS.PISTON Ø 45 (INCL.46-48)	KOLBENSET Ø 45 (INCL.46-48)	Star 55
50	8540890	1	ASS.CIL-PIST Ø 42 (INCL.49)	CYL-PIST Ø 42 (INCL.49)	CYL.-PIST. Ø 42 (INCL.49)	SET KOLBEN-ZYL. Ø 42 (INCL.49)	Star 45
50	8540970/2	1	ASS.CIL-PIST Ø 45 (INCL.49)	CYL-PIST Ø 45 (INCL.49)	CYL.-PIST. Ø 45 (INCL.49)	SET KOLBEN-ZYL. Ø 45 (INCL.49)	Star 55
51	2135040	2	VITE	SCREW	VIS	SCHRAUBE	



STAR

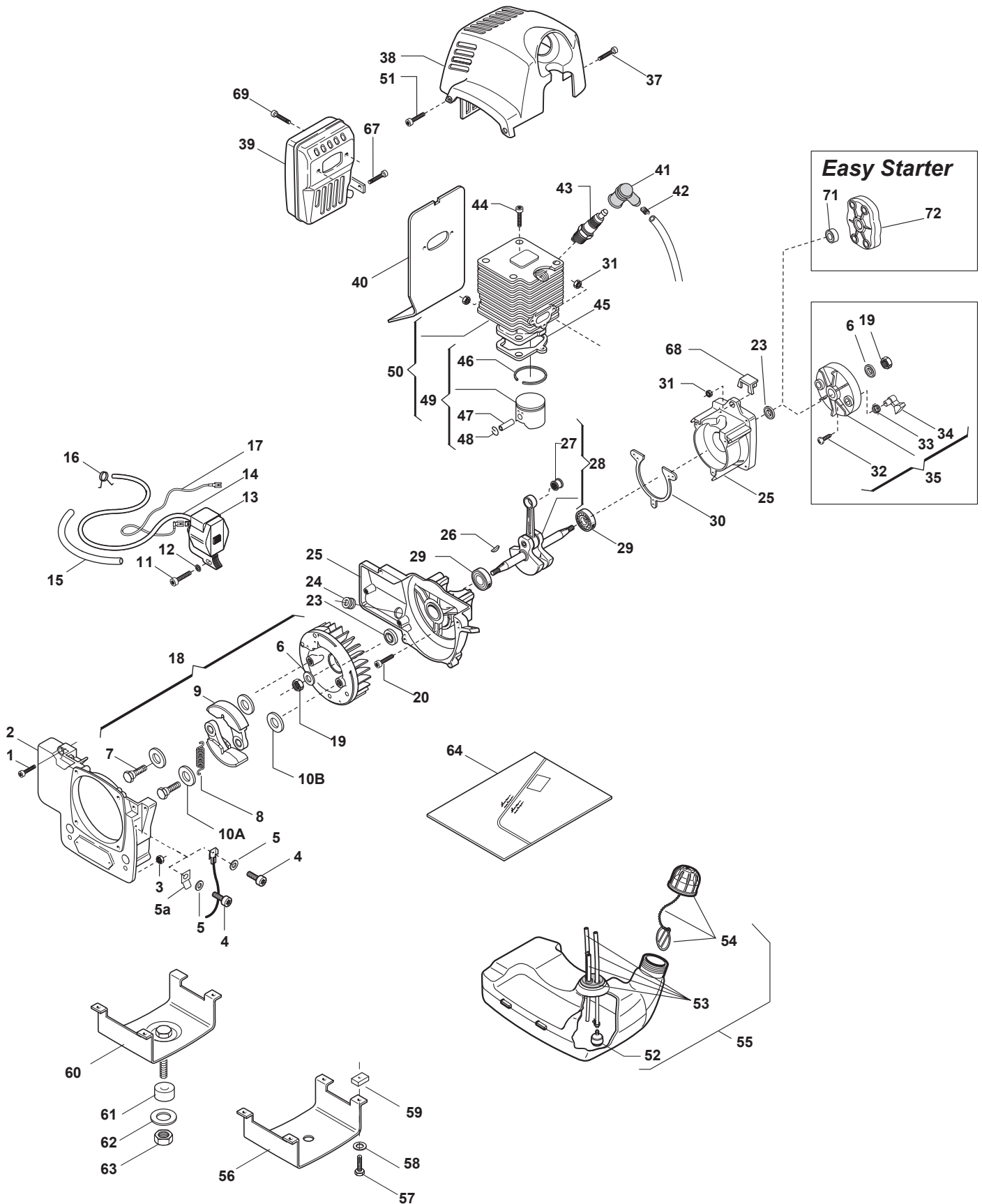
45P 45DP 45FP 55P 55DP 55FP



2007

261.0

3 / 4



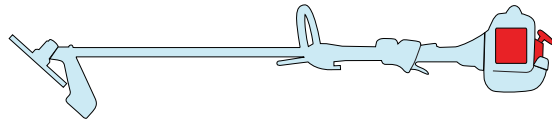


N.	CODE	Q.TY	DESCRIZIONE	DESCRIPTION	DESCRIPTION	BESCHREIBUNG	REMARKS
52	4253290	1	PESCANTE MISCELA	INTAKE FILTER	FILTRE D'ASPIRATION	TAUCHSONDE	
53	8745542	1	ASS.GOMMINO PASSA-TUBI	GROMMET ASS.Y	ENS.RONDELLE CAOUT-CHOUC	SET GUMMIRINGE	
54	8741370	1	ASS.TAPPO MISCELA	FUEL CAP ASS.Y	ENS.BOUCHON MÉLANGE	DECKEL TREIBSTOFF-TANK	
55	4252620/1	1	ASS.SERBATOIO MIX (INCL.52-54)	FUEL TANK ASS.Y (INCL.52-54)	ENS.RÉSERVOIR MÉ-LANGE (INCL.52-54)	TREIBSTOFFTANK (INCL.52-54)	
56	4612237	1	FLANGIA SUPPORTO MOTORE	FLANGE	BRIDE MOTEUR	FLANSCH	
57	2135030	4	VITE	SCREW	VIS	SCHRAUBE	
57	2135040	4	VITE	SCREW	VIS	SCHRAUBE	
58	2321150	4	RONDELLA	WASHER	RONDELLE	UNTERLEGSCHIEBE	
59	2461030	4	DADO	NUT	ECROU	MUTTER	
60	4121957	1	FLANGIA SUPP.MOTORE (FLEX)	FLANGE (FLEX)	BRIDE MOTEUR (FLEX)	FLANSCH (FLEX)	
61	2382230	1	DISTANZIALE (FLEX)	SPACER (FLEX)	ENTRETOISE (FLEX)	THERMOISOLIERUNG (FLEX)	
62	2330060	1	ROSETTA	WASHER	RONDELLE	SCHIEBE	
63	2412180	1	DADO (FLEX)	NUT (FLEX)	ECROU (FLEX)	MUTTERSCHRAUBE (FLEX)	
64	8724380/1	1	SERIE GUARNIZIONI (INCL. 30-40-45)	GASKET SET (INCL. 30-40-45)	SÉRIE JOINTS (INCL. 30-40-45)	SET DICHTUNGEN (INCL.30-40-45)	
67	2135180	1	VITE	SCREW	VIS	SCHRAUBE	
68	3750537	1	DISTANZIALE CUFFIA	YELLOW SPACER	ENTRETOISE JAUNE	DISTANZSTÜCK GELB	
69	2135040	6	VITE	SCREW	VIS	SCHRAUBE	
71	23160051/0	1	DISTANZIALE	SPACER	ENTRETOISE	ENTFERNUNGSSTÜCK	EASY STARTER
72	83082000/0	1	COPPA AVVIAMENTO	STARTER CUP	COUPE DÉMARREUR	STARTERGEHÄUSE	EASY STARTER



STAR

45P 45DP 45FP 55P 55DP 55FP

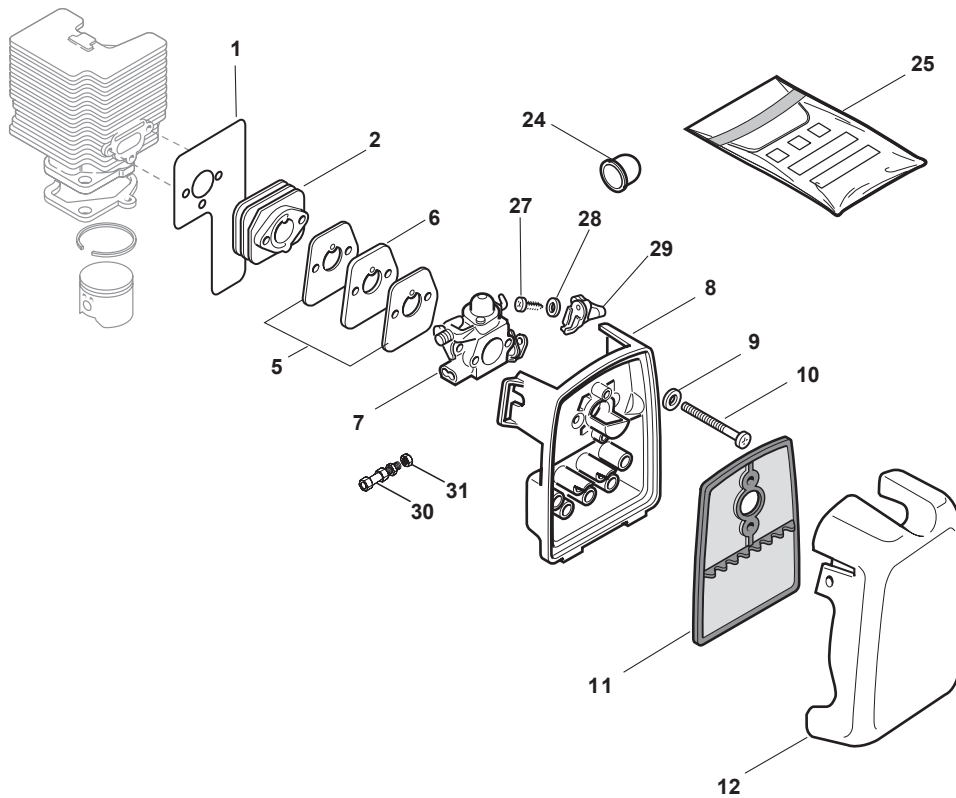
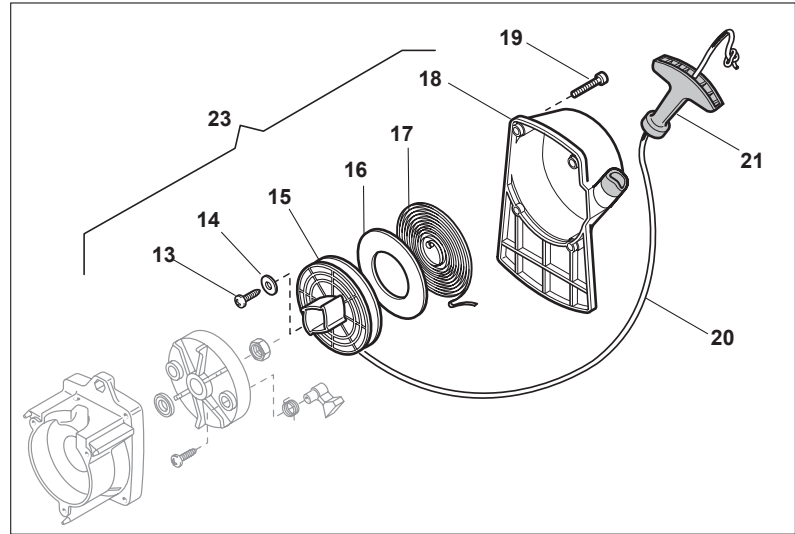
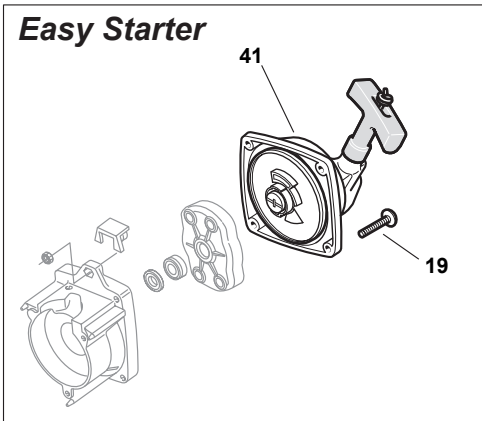


2007

262.0

1 / 2

Easy Starter



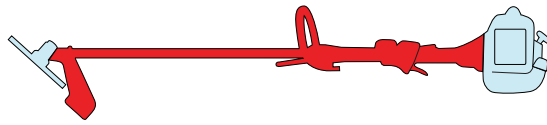


N.	CODE	Q.TY	DESCRIZIONE	DESCRIPTION	DESCRIPTION	BESCHREIBUNG	REMARKS
1	3724390/2	1	GUARNIZ.COLLETT-CI-LINDRO	INTAKE-MANIF.GASKET	JOINT COLLECT.-CYLINDRE	DICHT. KOLLEKT.-ZYLINDER	
2	3749740/1	1	COLLETTORE ASPIRAZIONE	INTAKE MANIFOLD	COLLECTEUR ASPIRATION	KOLLEKTOR ANSAUGUNG	
5	3724160	2	GUARNIZ.CARBURAT-COLLETT.	GASKET	JOINT	DICHT. VERG.-KOLLEKT.	
6	3785050/1	1	DISTANZIALE TERMICO	HEAT BLOCK	BLOCAGE THERMIQUE	THERMOISOLIERUNG	
7	23054014/1	1	CARBURATORE	CARBURETTOR	CARBURATEUR	VERGASER	Walbro WT 761A
8	23781004/0	1	SUPPORTO FILTRO ARIA GRIGIO	AIR FILTER HOLDER	SUPP. FILTRE À AIR	HALTER LUFTFILTER	
9	2312090	2	ROSETTA	WASHER	RONDELLE	SCHEIBE	
10	2135230	2	VITE	SCREW	VIS	SCHRAUBE	
11	3781640	1	FILTRO ARIA	AIR FILTER	FILTRE À AIR	LUFTFILTER	
12	23090008/0	1	COPRIFILTRO ARIA GIALLO	YELLOW FILTER COVER	COUVRE-FILTRE À AIR JAUNE	FILTERABD. GELB	
12	23090009/0	1	COPRIFILTRO ARIA ROSSO	RED FILTER COVER	COUVRE-FILTRE À AIR ROUGE	FILTERABD. ROT	
13	2123100	1	VITE	SCREW	VIS	SCHRAUBE	
14	3613420	1	ROSETTA	WASHER	RONDELLE	SCHEIBE	
15	4562440	1	PULEGGIA AVVIAMENTO	STARTER PULLEY	POULIE DÉMARRAGE	RIEMENSCHIEBE STARTER	
16	3724200	1	DISCO PER MOLLA AVV. TO	DISC	DISQUE	SCHEIBE F. FEDER	
17	4611480	1	MOLLA AVVIAMENTO	SPRING	RESSORT	FEDER STARTER	
18	8563890/1	1	CARTER AVVIAMENTO	STARTER RECOIL CASE	CARTER DÉMARREUR	STARTERGEHÄUSE	
19	2135040	4	VITE	SCREW	VIS	SCHRAUBE	
20	3784010	1	FUNE AVVIAMENTO	STARTER CORD	CÂBLE DÉMARRAGE	SEIL STARTER	
21	3750067	1	IMPUGNATURA AVVIAM. TO	STARTER HANDLE	POIGNÉE DÉMARRAGE	GRIFF STARTER	
23	4252700/1	1	ASS.AVVIATORE (INCL.13-21)	STARTER ASS.Y (INCL.13-21)	ENS. DÉMARREUR (INCL.13-21)	STARTEREINHEIT (INKL.13-21)	
24	3744870	1	PRIMER	PRIMER	PRIMER	PRIMER	
25	4353150	1	KIT MEMB-GUARNIZ	GASKET-DIAPH. SET	KIT MEMBR.-JOINT	SET MEMB.-DICHT.	
29	23315056/0	1	LEVA ARIA	CHOKE LEVER	LEVIER AIR	CHOKERHEBEL	
27	2123090	1	VITE	SCREW	VIS	SCHRAUBE	
28	2312180	1	ROSETTA	WASHER	RONDELLE	SCHEIBE	
30	3630600/1	1	REGISTRO CAVO ACCLE-RATORE	THROTTLE CABLE ADJUSTER	REGISTRE	REGLER	
31	2412090	1	DADO	NUT	ECROU	MUTTER	
41	83037000/0	1	ASS.AVVIATORE	STARTER ASS.Y	ENS. DÉMARREUR	STARTEREINHEIT	EASY STARTER



STAR

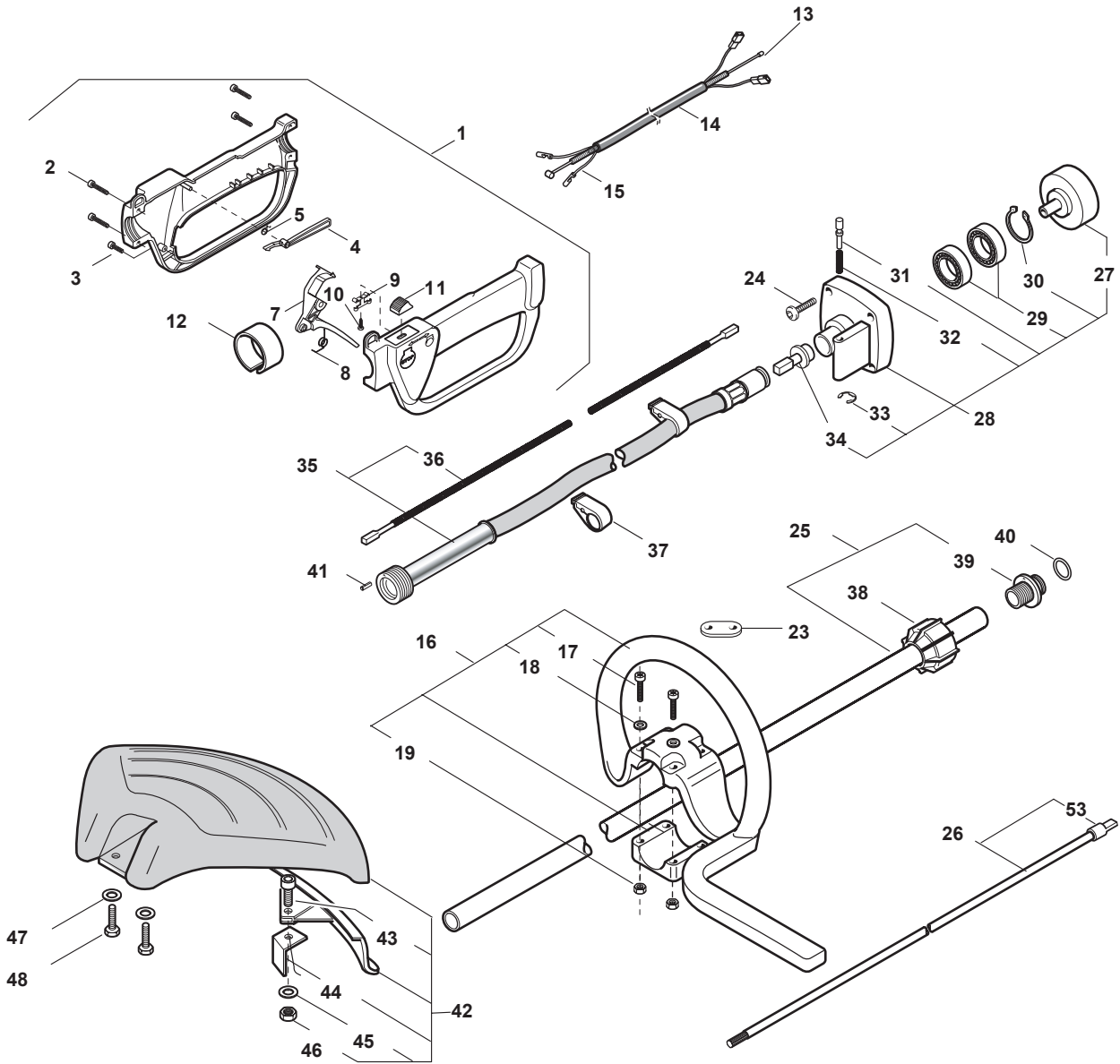
45P 45DP 45FP 55P 55DP 55FP



2007

263b.0

1 / 2



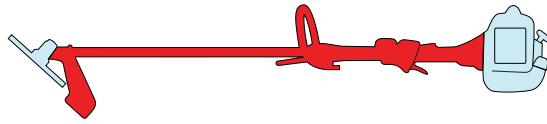


N.	CODE	Q.TY	DESCRIZIONE	DESCRIPTION	DESCRIPTION	BESCHREIBUNG	REMARKS
1	8562620/1	1	ASS. IMPUGNATURA POST. (INCL.2-12)	HANDLE ASS.Y (INCL.2-12)	ENS.POIGNÉE (INCL.2-12)	SET HANDGRIFF HINTEN (INCL.2-12)	
2	2123030	4	VITE	SCREW	VIS	SCHRAUBE	
3	2123100	2	VITE	SCREW	VIS	SCHRAUBE	
4	3743475	1	LEVA DI SICUREZZA	SAFETY LEVER	LEVIER DE SÉCURITÉ	SICHERHEITSEBEL	
5	3654300	1	MOLLA LEVA DI SICUREZZA	SPRING	RESSORT	FEDER SICHERHEITSEBEL	
7	3743465	1	LEVA ACCELERATORE	THROTTLE LEVER	LEVIER ACCÉLÉRATEUR	GASHEBEL	
8	3654270/1	1	MOLLA LEVA ACCELERATORE	SPRING	RESSORT	FEDER GASHEBEL	
9	3612710	1	LAMIERINO DI STOP	STOP PLATE	PLAQUE D'ARRÊT	STOP-PLÄTTCHEN	
10	2123070	1	VITE	SCREW	VIS	SCHRAUBE	
11	3749270	1	POMELLO DI STOP	STOP KNOB	BOUTON D'ARRÊT	STOP-SCHALTER	
12	3750290	2	RIDUZIONE	REDUCTION	RÉDUCTION	REDUZIERSTÜCK	
13	23066009/0	1	CAVO ACCELERATORE	WIRE ASS.Y	CÂBLE ACCÉLÉR.	STARTERKABEL	
14	3782680	1	GUAINA CAVI	WIRE SHEATH	GAINÉ CÂBLES	KABELMANTEL	
15	8211390	1	COPPIA CAVI STOP	STOP CABLE COUPLE	PAIRE CÂBLES ARRÊT	KABELPAARSTOP	
16	8563600	1	ASS. IMPUGNATURA ANT. (INCL.17-19)	FRONT HANDLE ASS.Y (INCL.17-19)	ENS.POIGNÉE AVANT (INCL.17-19)	SET HANDGRIFF VORNE (INCL.17-19)	
17	2135050	4	VITE	SCREW	VIS	SCHRAUBE	
18	2312090	4	ROSETTA	WASHER	RONDELLE	SCHEIBE	
19	2412030	4	DADO	NUT	ECROU	MUTTER	
23	3614980	1	ASOLA IMPUGNATURA X CORDA ELASTICA	HANDLE-HOLE FOR ELASTIC CORD	ØILLET POIGNÉE POUR CORDE ÉLASTIQUE	HANDGRIFFÖSE X ELASTISCHES SEIL	
24	2135160	4	VITE	SCREW	VIS	SCHRAUBE	
25	4252390	1	ASS. TUBO TRASMISSIONE (INCL.39)	TRANSM. PIPE ASS.Y (INCL.39)	ENS.TUBE TRANSM. (INCL.39)	SET ROHR PULSE (INCL.39)	
26	8630150	1	ASS.ALBERO TRASMISSIONE (INCL.53)	TRANSM.SHAFT ASS.Y (INCL.53)	ENS.ARBRE TRANSM. (INCL.53)	SET MOTORWELLE (INCL.53)	
27	4121861/1	1	CAMPANA FRIZIONE	CLUTCH DRUM	CLOCHE EMBRAYAGE	KUPPLUNGSGLOCKE	
28	8540910	1	ASS.SUPPORTO TRASMISSIONE (INCL.27,29-34)	SUPPORT TRANSM. (INCL.27,29-34)	SUPP. TRANSM. (INCL.27,29-34)	GETRIEBEPLATTFORM (INCL.27,29-34)	
29	3112170	2	CUSCINETTO	BEARING	ROUL. À BILLES	KUGELLAGER	
30	3353080	1	ANELLO SEEGER	RING	CIRCLIP	RING	
31	3642420	1	PERNO	PIN	TOURILLON	STIFT	
32	3654170	1	MOLLA	SPRING	RESSORT	FEDER	
33	3351050	1	FERMO	RETAINER	BUTOIR	SPERRUNG	
34	3642430	1	MOZZO	HUB	MOYEU	NABE	
35	4122110/1	1	ASS.ALBERO FLEX C/GUAINA J (INCL.36)	FLEX SHAFT ASS.Y J (INCL.36)	ENS.ARBRE FLEX J (INCL.36)	FLEX WELLENEINHEIT J (INCL.36)	
36	4253990/1	1	ALBERO FLESSIBILE J	FLEXIBLE SHAFT J	ARBRE FLEXIBLE J	BIEGSAME WELLE J	
37	3749310	2	FASCETTA FERMACAVI	CLIP	COLLIER	KABELKLEMME	
38	3750270	1	GHIERA FISSAGGIO IMPUGNATURA	PLATE FOR HANDLE FIXING	VIROLE FIXATION POIGNÉE	RING GRIFFBEFESTIGUNG	
39	3643220	1	MANICOTTO FILETTATO X FLEX Ø28	FLEX THREADED COUPLING Ø28	MANCHON FILETÉ POUR FLEX Ø28	FLEX GEWINDEMUFFE Ø28	
40	3721540	1	ANELLO OR	OR RING	JOINT OR	OR-DICHTUNG	
41	3314040	1	SPINA DI CENTRAGGIO	CENTRING PIN	GOUPILLE DE CENTRAGE	ZENTRIERSTIFT	
42	8563570	1	ASS.PARASPRUZZI (INCL.43-46)	SAFETY COVER ASS.Y (INCL.43-46)	ENS. CAPOT ANTI-PROJECTIONS (INCL.43-46)	SPRITZSCHUTZ (INCL.43-46)	
43	2135030	1	VITE	SCREW	VIS	SCHRAUBE	
44	3615000	1	LAMIERINO TAGLIAFILO	LINE CUTTER	COUPE-FIL	DRAHTSCHERENBLECH	
45	2312150	1	ROSETTA	WASHER	RONDELLE	SCHEIBE	
46	2432040	1	DADO	NUT	ECROU	MUTTER	
47	2312150	2	ROSETTA	WASHER	RONDELLE	SCHEIBE	
48	2135060	2	VITE	SCREW	VIS	SCHRAUBE	
53	3642290	1	RACCORDO INNESTO FLEX Ø28	FLEX JOINT Ø28	RACCORD FLEX Ø28	DEHNBARER ANSCHLUSS Ø28	



STAR

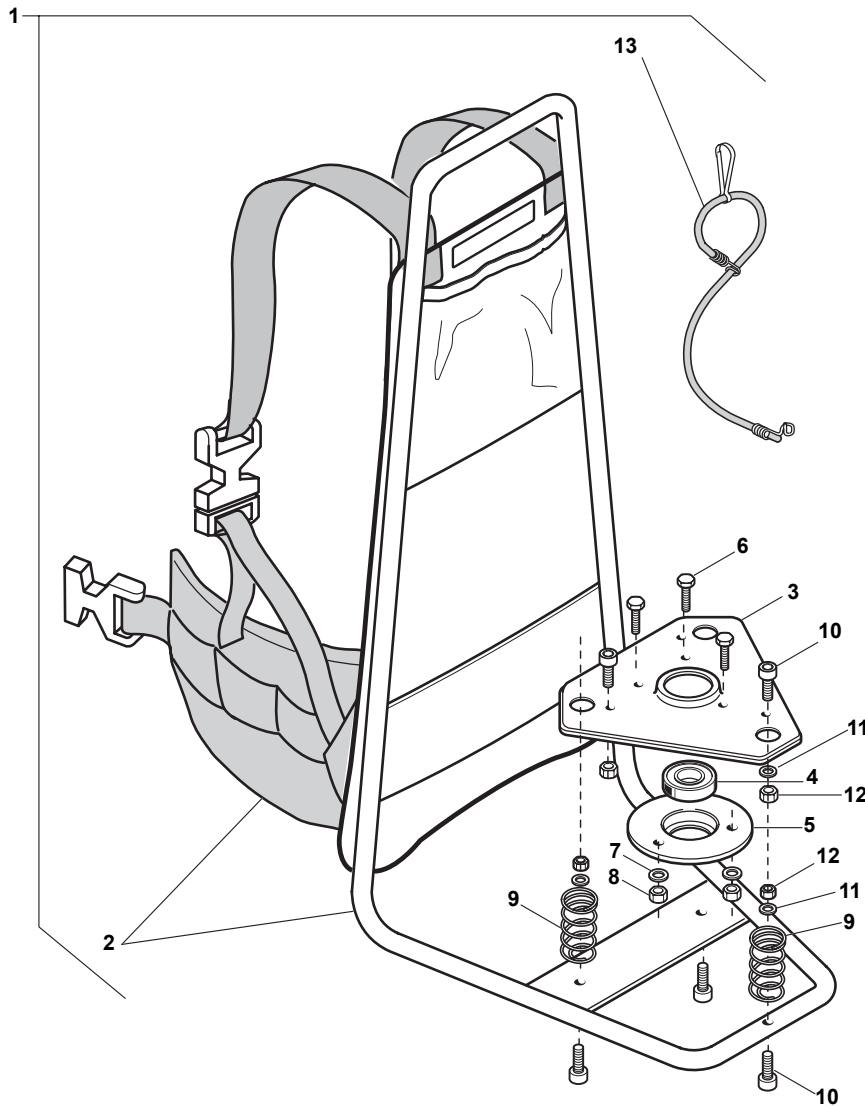
45P 45DP 45FP 55P 55DP 55FP



2007

264.0

1 / 1

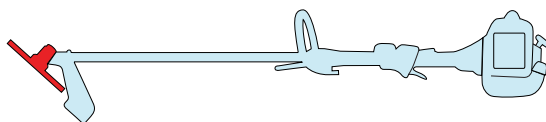


N.	CODE	Q.TY	DESCRIZIONE	DESCRIPTION	DESCRIPTION	BESCHREIBUNG	REMARKS
1	4252360	1	ASS.ZAINO (INCL. 2-13)	KNAP SACK (INCL. 2-13)	SAC À DOS (INCL. 2-13)	RÜCKSACK (INCL. 2-13)	
2	8122080	1	ASS. TELAIO ZAINO C/BRETTELLE	KNAP SACK FRAME ASS. Y W/HARNESS	STRUCT. SAC À DOS AVEC BRETELLES	RAHMEN RÜCKSACK M. GURTZEUG	
3	4612280	1	PIASTRA SUPPORTO MOTORE	ENGINE SUPPORT	SUPPORT MOTEUR	MOTORSTÜTZPLATTE	
4	3112170	1	CUSCINETTO	BEARING	ROUL. À BILLES	KUGELLAGER	
5	4612020	1	FLANGIA CUSCINETTO	BEARING FLANGE	BRIDE ROULEMENT	LAGERFLANSCH	
6	2112260	3	VITE	SCREW	VIS	SCHRAUBE	
7	2312090	3	ROSETTA	WASHER	RONDELLE	SCHEIBE	
8	2432040	3	DADO	NUT	ECROU	MUTTER	
9	3654360	3	MOLLA ANTIVIB.ZAINO	SPRING	RESSORT	FEDER	
10	2132110	6	VITE	SCREW	VIS	SCHRAUBE	
11	2312130	6	ROSETTA	WASHER	RONDELLE	SCHEIBE	
12	2432030	6	DADO	NUT	ECROU	MUTTER	
13	4252430	1	CORDA ELASTICA	ELASTIC CORD	CORDE ÉLASTIQUE	ELASTISCHES SEIL	



STAR

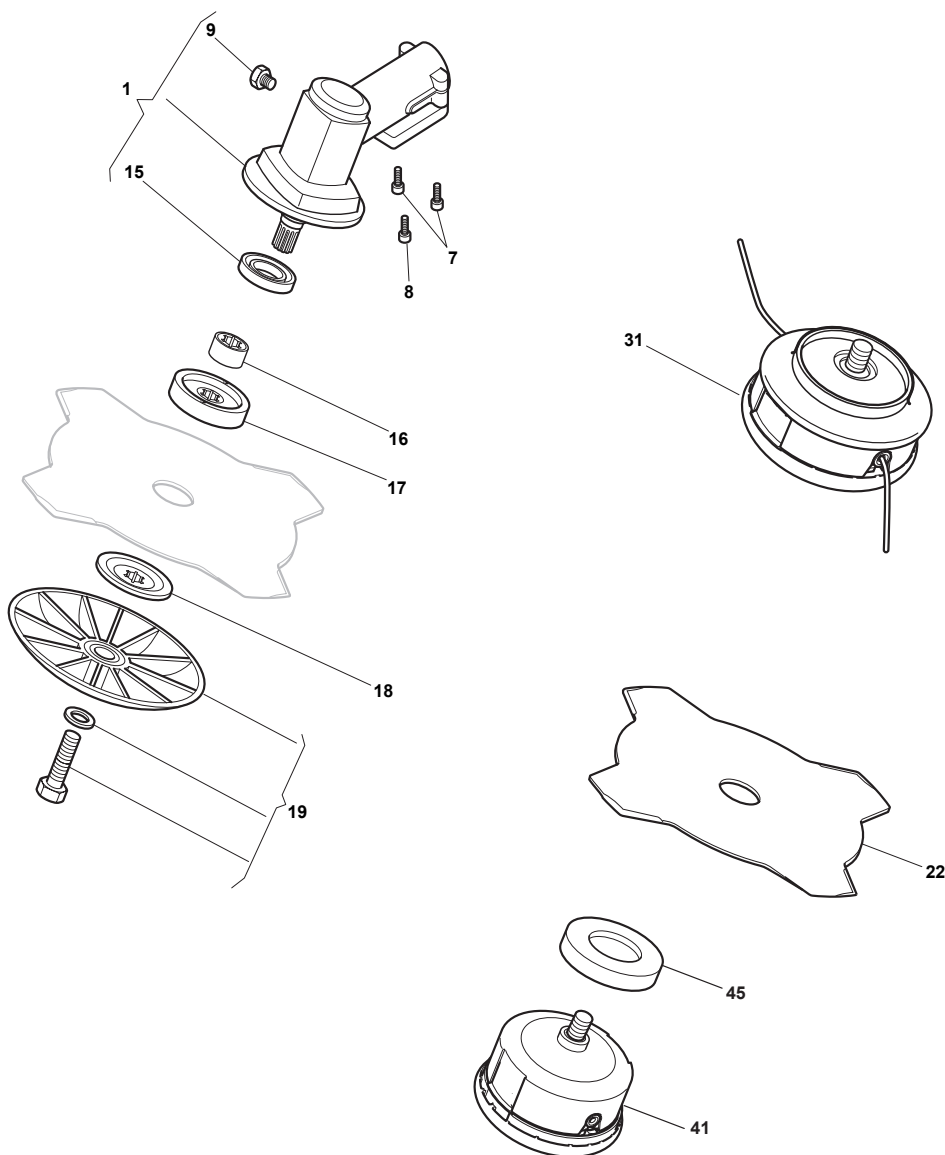
45P 45DP 45FP 55P 55DP 55FP



2007

265a.0

1 / 1



N.	CODE	Q.TY	DESCRIZIONE	DESCRIPTION	DESCRIPTION	BESCHREIBUNG	REMARKS
1	4252790/1	1	ASS.TESTINA Ø28MM	GEAR CASE ASSY Ø28	ENS.BOÎTE ENGREN. Ø28	SET ZAHNRADGETRIEBE Ø28	
7	2135050	2	VITE	SCREW	VIS	SCHRAUBE	
8	2653090	1	VITE	SCREW	VIS	SCHRAUBE	
9	2653460	1	VITE	SCREW	VIS	SCHRAUBE	
15	3121170	1	ANELLO DI TENUTA	SEAL RING	ANNEAU DE TENUE	DICHRING	
16	3641700/1	1	COLLARE	COLLAR	COLLIER	STELLRING	
17	3641640	1	GHIERA SUPERIORE	UPPER RING NUT	BAGUE SUPÉRIEURE	OBERER RINGBOLZEN	
18	3612640	1	GHIERA INFERIORE	LOWER RING NUT	BAGUE INFÉRIEURE	UNTERER RINGBOLZEN	
19	4560610	1	COPPA FISSA	STABILIZER	STABILISATEUR	STABILISATOR	
20	2321230	1	ROSETTA	WASHER	RONDELLE	SCHEIBE	
21	2653170	1	VITE	SCREW	VIS	SCHRAUBE	
22	4611880	1	DISCO 4 PUNTE 25 CM	4 TEETH DISC 25 CM	LAME À 4 DENTS 25 CM	SCHEIBE / 4 ZÄHNE 25 CM	
31	4353240/1	1	TESTINA 2 FILI TAP & GO	2 HEDGES NYLON HEAD	TÊTE À 2 FILS NYLON	2 DRAHTSCHEIBE	
41	4353000	1	TESTINA TAP & GO PROFI	2 HEDGES NYLON HEAD PROFI	TÊTE À 2 FILS NYLON PROFI	2 DRAHTSCHEIBE PROFI	
44	4563990	1	COPERCHIO INFERIORE	BOTTOM COVER	COUVERCLE INFÉRIEUR	UNTERER DECKEL	
45	3614950	1	PIATTELLO	PLATE	TOURNETTE	TELLER	

